

Fawcett's
ELMCREEKRANCH

February 12, 2024 • 1 p.m. cst at the ranch • Ree Heights, South Dakota

f. cur

Ree Heights, South Dakota

Welcome!

On behalf of the entire crew at Fawcett's Elm Creek Ranch, we want to welcome you to our annual production sale!

We appreciate your consideration and trust in our program. We work hard with our customers to produce some of the most sought after breeding heifers and feeder cattle in the country.

We want all cattle producers to excel and we believe that if we work together we can expect a great future in the cattle industry.

The bulls that we will be selling represent two different calving intervals meaning we run two different cow herds, one at the north end of the ranch and one at the south. The north end of the ranch calve in February through March and the bulls produced from this group of cows are what make up the yearling bulls in the sale. The cows running the south end of the ranch calve the end of March through the end of May and the bulls produced by these cows are the two-year-old bulls in the sale.

The yearling bulls are weaned in October, processed and started on a mild grower ration to ensure longevity. The two-year-old bulls selling leave the yards and go to pasture as soon as the grass has greened up and stay out on a section of pasture in the hills with zero supplement throughout the summer until mid fall when we bring them in closer and begin feeding them for the sale. The strong survive when we talk about the two-year-olds as they are on their own from May until October.

We run our operation with the same expectations as any good commercial operation and that is to keep inputs to a bare minimum and demand maximum output. These cattle have to be easy fleshing, sound structured, great footed and are to be able to raise a calf that will push down the scale in the fall with a minimal labor force.

We search out the best herd bulls in the breed to ensure our customers have access to breed leading genetics. Horned or polled, if you are seeking to raise feeder cattle that demand a premium, bulls to raise top replacements, genetics to increase the value of your purebred operation or to simply add longevity and profit margins then FECR is your source for the rancher's kind.

If you are unable to be here in person to view the bulls please call any of us to discuss them and we will help you get what you are after.

2023 has been a challenge at the ranch. The weather we can handle, as we have for generations. We all know the stress applied in the livestock industry during difficult times of a weather pattern that won't give up, but what we can't prepare for is the stress of seeing loved ones struggle with unexpected, life changing and threatening health problems. We again thank you for your thoughts, prayers and help this last summer as we battled through and as we continue on a difficult journey.

Again, from from all of us at Fawcett's Elm Creek Ranch thank you for your consideration.

Fawcett's Elm Creek Ranch



www.fawcettselmcreekranch.com

Annual Production Sale

February 12, 2024
1 p.m. cst • Ree Heights, South Dakota

please join us for lunch prior to the sale

**Horned & Polled Yearling and 2-Year-Old Hereford Bulls • Angus Bulls
Hereford Yearling Registered Heifers • F1 Baldy Yearling Heifers**

Fawcett's
ELMCREEKRANCH
Ree Heights, South Dakota

Keith, Cheryl & Matt
605-870-0161

Dan, Kyla, Hollis & Ivy
605-870-6172

Weston, Kris, Falon, Jensen & Marty
605-478-0077



**GE EPD's are not listed in the catalog
 but will be available prior to sale**

AUCTIONEER

Lynn Weishaar • 605-641-6278 cell

SALE DAY PHONES

Dan Fawcett • 605-870-6172

Keith Fawcett • 605-870-0161

Weston Kusser • 605-478-0077

Troy Williamson • 605-254-7875

SALE DAY PHONES / REPRESENTATIVES

Joe Rickabaugh • AHA • 785-633-3188

Chris Effling • Special Assignment • 605-769-0142

Kirby Goettsch • Tri-State Neighbor / Farm & Ranch Guide 605-380-3939

Will Bollum • Western Ag Reporter • 507-244-0833

Donnie Leddy • Cattle Business Weekly • 605-695-0113

Art Handle • Handel Marketing • 605-391-8233

Marc & Jill Hotchkiss • Hereford America • 605-210-1956 & 605-490-1409

Contact Dan, Keith or any of the sale staff if you are unable to attend the sale or if you have any questions regarding the cattle.



Lots 1-15
 Yearling Registered Hereford Heifers

Lots 16-76
 Yearling Hereford & Angus Bulls

Lots 77-123
 2-year-old Hereford Bulls

Yearling F1 Baldy Heifers (sell in groups of 10)

the
RANCHER'S
Kind



Check our website and social media
 after February 1st for videos of all the sale cattle



The Registered Hereford Heifers

The yearling heifers are good representation of our replacements with a few added highlights from our embryo transplant group. The ET heifers in this group were meant to be kept to continue the legacy of their mothers here at the ranch since these females are usually sold in our October sale. But since we decided to offer yearling heifers we thought it would be good to spice up the offering just a bit. All the way through the offering you will find high quality females with will work in many different scenarios. GE EPD's will be available prior to sale day.



The Yearling Hereford Bulls

The yearling bulls come predominately from the group of cows calving mid February through mid March. These bulls have been on a high roughage ration at a low MCAL to ensure longevity. We want our bulls to be able to work hard and last years without any problems. You will find many 1/2 and 3/4 brothers in this offering to help you to have a consistent calf crop. Most all of the bulls in this group are the result of Artificial Insemination. Carcass data will be available on sale day. If there are any questions on pedigrees or any other information you are interested in please ask. GE EPD's will be available prior to sale day.



The 2-year-old Hereford Bulls

We are excited about this years group of two-year-old bulls. This group of bulls predominately come from the second group of cows calving from mid March through May. In this group of cows you will find calves sired by AI sires and the bulls resulting from embryo transplant. This group of bulls leave the yards as soon as the grass has greened in the spring and are on their own until fall without supplement where the strong survive, and then are fed a high roughage ration out on pasture where they have room to travel. They are sound, hard in their condition and ready to work and last.



The Yearling Yearling F1 Baldy Heifers

We take a lot of pride in the cow herd and these F1 baldy replacement heifers are from the heart of the 2023 calf crop. They are the right kind, the right size, maternally enhanced females to become front pasture momma cows.



INTERNET BIDDING

Livestock Link • www.thelivestocklink.com

Absentee bidders who wish to utilize the internet may bid online at www.thelivestocklink.com

ACCOMMODATIONS

Super 8 • Miller, SD • 605-853-2721

Dew Drop Inn • Miller, SD • 605-853-2431

Pierre, SD is an hour from ranch with multiple hotels to choose from

TRANSPORTATION

Pierre • commercial airlines, Pierre, SD

Miller • paved landing strip, Miller, SD

Highmore • small plane strip, Highmore, SD

VOLUME DISCOUNT

Bulls 3% on three head; 4% on four head; 5% on five or more

HERD HEALTH

All females selling will be ready for immediate shipment and accompanied by proper health certificate. All bulls will be delivered at a later date. Fawcett's Elm Creek Ranch has a full vaccination program.

TERMS & CONDITIONS

This will be a video auction. All animals will be penned outside. All animals will sell to the highest bidder with the auctioneer settling any disputes as to bids. Announced changes in catalog information will take precedence over any printed material in catalog. The animals become the property of the highest bidder as soon as sold and will be cared for, for a reasonable time, at buyer's risk.

BREEDING GUARANTEE

All bulls will be guaranteed through the first 60 day breeding season. In the event, an animal fails to breed, a suitable replacement will be made or credit will be given in the next sale.

PEDIGREE

All registered animals in the sale are clean of any genetic defects to the best of our knowledge. All potential genetic defect carriers have been DNA'd and will have a profile on file with the AHA. The registered bred heifers have been DNA'd and will be pro-filed for ET permits.

LIABILITY

All persons attending the sale and related functions do so at their own risk. Fawcett's Elm Creek Ranch, the sale management and staff assume no liability, legal or otherwise, for any accidents or injuries that may occur.

RETAINED OWNERSHIPS

We will retain a percentage of several of the bulls and the registered heifers. Terms will be announced sale day.

ABSENTEE BIDS

Any person unable to attend can place a bid through Keith or Daniel or any of the listed sale representatives. Please have credit references available.

DELIVERY

Free delivery on bulls to central location within bordering states if delivered by Fawcett's Elm Creek Ranch. We will cooperate on deliveries outside that area.

INSURANCE

Martin-Trudeau Insurance, Mitchell, South Dakota will be available on sale day to handle insurance needs. Amy Puepke 605-770-4414.

Hereford Breed Averages

| CED | BW | WW | YW | Scrotal | SCF | MILK |
|-----|-------|------|------|---------|-------|-------|
| 3.0 | 2.7 | 55 | 88 | 1.0 | 15.9 | 26 |
| M&G | UDDER | TEAT | REA | MARB | BMI\$ | CHB\$ |
| 54 | 1.2 | 1.2 | 0.42 | 0.13 | 347 | 118 |

EPD's are to be utilized as a tool in your selection process to better understand what to expect in certain aspects from your bull. Below you will find a quick explanation to help you better understand what you will find in this catalog.

LE PIG and RE PIG represent the percentage of pigment on each eye.

When referring to ratios throughout the catalog: 110% weaning weight ratio means this bull weaned off 10% heavier than the average of the group. Or, a 90% birth weight ratio means the bulls BW was 10% lower than the average of the group.

CED - Calving Ease Direct

CED is based on calving ease scores and birth weights and is measured on a percentage. CED EPD indicates the influence of the sire on calving ease in females calving at 2 years of age. For example, if sire A has a CED of 6 and sire B has a CED of -2, then you would expect on average, if comparably mated, sire A's calves would have an 8 percent more likely chance of unassisted calving when compared to sire B's calves.

BW - Birth Weight

The difference between a 3 BW EPD and a 6 BW EPD if those bulls were used on 100 head of cows there would be an average of THREE POUNDS MORE birth weight on average out of the bull with a 6 BW EPD.

WW - Weaning Weight

WW EPD is an estimate of pre-weaning growth that is measured in pounds. For example, if sire A has a WW EPD of 100 and sire B has a WW EPD of 70, then you would expect on average if comparably mated, sire A's calves would weigh 30 lb. heavier at a year of age when compared to sire B's calves

YW - Yearling Weight

YW EPD is an estimate of post-weaning growth that is measured in pounds. For example, if sire A has a YW EPD of 100 and sire B has a YW EPD of 70, then you would expect on average if comparably mated, sire A's calves would weigh 30 lb. heavier at a year of age when compared to sire B's calves.

SC - Scrotal Circumference

The AHA's new SCF EPD is a prediction of a cow's ability to continue to calve from three years of age through 12 years of age, given she calved as a two-year-old. The EPD is expressed as a deviation in the proportion of the 10 possible calvings to 12 years old expressed as a probability. For example, the daughters of a bull with a 30 EPD would have the genetic potential to have one more calf by age 12 than the daughters from a bull with a 20 EPD. In other words, the daughters from the 30 EPD bull would have a 10% greater probability of having one more calf than the bull with a 20 EPD. This is equivalent to saying that the daughters are 10% more likely to remain in the herd to age 12.

SCF - Sustained Cow Fertility

The AHA's new SCF EPD is a prediction of a cow's ability to continue to calve from three years of age through 12 years of age, given she calved as a two-year-old. The EPD is expressed as a deviation in the proportion of the 10 possible calvings to 12 years old expressed as a probability. For example, the daughters of a bull with a 30 EPD would have the genetic potential to have one more calf by age 12 than the daughters from a bull with a 20 EPD. In other words, the daughters from the 30 EPD bull would have a 10% greater probability of having one more calf than the bull with a 20 EPD. This is equivalent to saying that the daughters are 10% more likely to remain in the herd to age 12.

MM - Maternal Milk

The MM EPD of a sire's daughters is expressed in pounds of calf weaned. It predicts the difference in average weaning weights of sires' daughters' progeny due to milking ability. Daughters of the sire with a +14 MM EPD should produce progeny with 205-day weights averaging 24 lb. more (as a result of greater milk production) than daughters of a bull with a MM EPD of -10 lb. (14 minus -10.0 = 24 lb.). This difference in weaning weight is due to total milk production during the entire lactation.

Angus Breed Averages

| CED | BW | WW | YW | Milk | \$W | \$F |
|-----|-----|------|------|-------|-----|-----|
| 6.0 | 1.2 | 62 | 110 | 26 | 59 | 89 |
| \$G | \$B | Marb | REA | Fat | | |
| 48 | 139 | 0.58 | 0.59 | 0.014 | | |

M&G - Maternal Milk & Growth

The M&G EPD reflects what the sire is expected to transmit to his daughters for a combination of growth genetics through weaning and genetics for milking ability. It is an estimate of the daughter's progeny weaning weight. A bull with a 29 lb. M&G EPD should sire daughters with progeny weaning weights averaging 19 lb. heavier than progeny of a bull's daughters with a M&G EPD of 10 lb. (29 minus 10=19lb.). It is equal to one-half the sire's weaning weight EPD, plus all of his MM EPD. No accuracy is associated with this since it is simply a mathematical combination of two other EPDs. It is sometimes referred to as "total maternal" or "combined maternal."

UDDR - Udder Suspension

Higher number the better.

TEAT - Teat Size

Higher number the better.

MARB - Marbling

The higher the number the more likely the bull to sire calves with higher quality grade and therefore more likely to grade prime.

BMI\$ - Baldy Maternal Index

The BMI\$ is a maternally focused index that is based on a production system that uses Hereford x Angus cross cows. Progeny of these cows are directed towards Certified Hereford Beef. This index has significant weight on Sustained Cow Fertility, which predicts fertility and longevity of females. There is a slightly positive weight on Weaning Weight, Mature Cow Weight and Milk which accounts for enough growth but ensures females do not increase inputs. There is some negative emphasis on Dry Matter Intake, but a positive weighting on Carcass Weight which is anticipated to provide profitability from finishing of non-replacement females and castrated males. Marbling and Rib-eye Area are also positively weighted to keep the harvested progeny successful for CHB. This index is geared to identify Hereford bulls that will be profitable when used in a rotational cross with mature commercial Angus cows.

CHB\$ - Certified Hereford Beef Index

The Certified Hereford Beef Index (CHB\$) is a terminal sire index that is built on a production system where Hereford bulls are mated to mature commercial Angus cows where all progeny will be targeted for Certified Hereford Beef after the finishing phase. This index has significant weight on Carcass Weight and Marbling to ensure profit on the rail. As well there is a positive weighting for Average Daily Gain along with a negative weighting on Dry Matter Intake to ensure efficient pounds of growth in the finishing phase. In addition, there is a positive weighting for Rib-eye Area and a negative weighting for Back Fat to maintain desirable Yield Grades. This is the only index that has no emphasis on fertility. Remember that no replacement heifers are being retained.

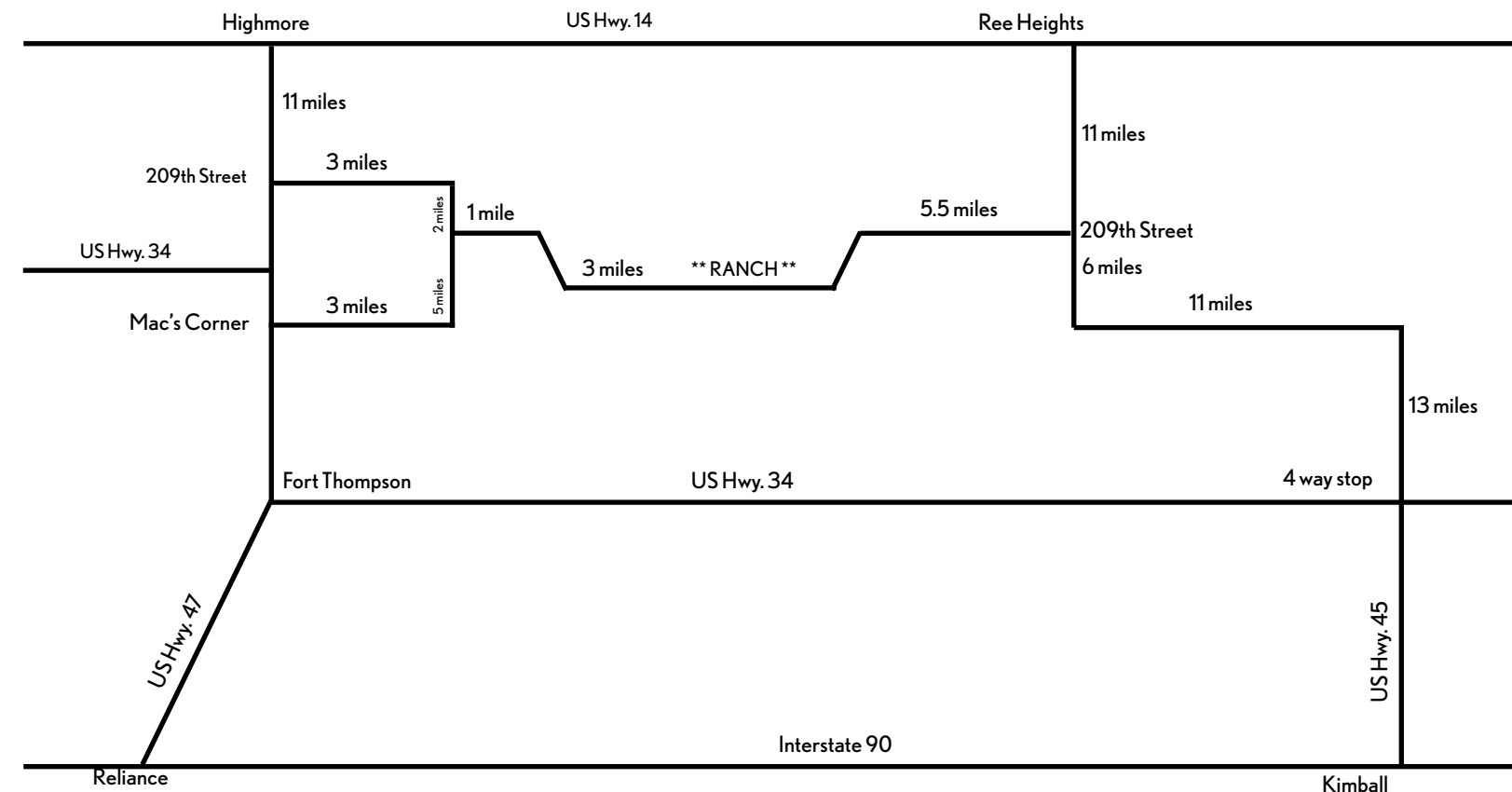


GE EPD's are not listed in catalog but will be available prior to sale



DIRECTIONS TO THE RANCH

Search "Fawcett's Elm Creek Ranch" on Google Maps for correct GPS address





• Lot 1 • ECR 8923 Miss Advance 3300



ECR 628 Ivy's Advance 8923 ET "Sancho"
Sire of Lot 1



• Lot 3 • ECR 5707 Lady Heston 3610



• Lot 2 •
ECR 9093 Miss Advance 3741



Lot 2 • ECR 9093 MISS ADVANCE 3741

AHA Reg. #44517307 :: DOB: 5/8/23 :: Horned :: Tattoo 3741

H FHF ADVANCE 628 ET
ECR 628 GENETIC ADVANCE 9093
ECR 9279 GENETIC LADY 3269 ET

HH ADVANCE 4075B ET
FHF 408 RITA 21W
ECR L18 EXTRA DEEP 9279
ECR LADY GE 131

BAR JZ SLEEP ON 738C
ECR 738 LADY SLEEP ON 8348
ECR 394 DOMINETTE 6666

HH ADVANCE 4075B ET
FHF 408 RITA 21W
ECR L18 EXTRA DEEP 9279
ECR LADY GE 131

HYALITE ON TARGET 936
BAR JZ VIRGINIA 500Y
CL 1 DOMINO 394A
ECR 7195 DOMINETTE 9068

| CED | BW | WW | YW | Scrotal | SCF | MILK | ACT BW | ADJ WW |
|-----|-------|------|------|---------|------|------|---------|---------|
| 6.0 | 2.5 | 55 | 83 | 0.7 | 19.1 | 30 | 82 | 595 |
| M&G | UDDER | TEAT | REA | MARB | BMIS | CHBS | LE FIG. | RE FIG. |
| 57 | 1.3 | 1.4 | 0.49 | 0.13 | 396 | 122 | 100 | 100 |

- Awesome cow family behind this heifer, her paternal grandmother is one of the best Bob daughters we have had and her mother is the great 131 donor
- On the bottom side of the pedigree is a triple shot of calving ease with Sleep On, 394 and 7195

Lot 3 • ECR 5707 LADY HESTON 3610

AHA Reg. #44516709 :: DOB: 4/18/23 :: Polled :: Tattoo 3610

ECR 3116 ADVENTURE 7647 ET
BK HESTON 5707H
BK COOL BEANS 5707C

BR NITRO AVENTUS 3116 ET
ECR MISS SENSATION 4356 ET
VH MR BG 1104
HAPP KOOL AID POINTS 1218 ET

ERNST 6027 TRUSTED 813
ECR 813 MISS BRAVO 0391
ECR 3275 MISS BRAVO 6212

ERNST 163Z TRUSTED 6027
ERNST MS 2077 ADVANCE 247 ET
CHURCHILL BRAVO 3275A ET
ECR L1 HUNNY 6001

| CED | BW | WW | YW | Scrotal | SCF | MILK | ACT BW | ADJ WW |
|-----|-------|------|------|---------|------|------|---------|---------|
| 4.7 | 2.0 | 55 | 89 | 0.7 | 18.2 | 31 | 76 | 628 |
| M&G | UDDER | TEAT | REA | MARB | BMIS | CHBS | LE FIG. | RE FIG. |
| 58 | 1.2 | 1.3 | 0.61 | 0.09 | 381 | 120 | 10 | 90 |

- Oh my looky here, this heifer has a bit stouter stature
- Nice well balanced set of EPD's
- Study her pedigree, she's got a bit different twist than most you will find around here



BK Heston 5707H
Sire of Lot 3, 6, 8, 9, 10, 13 & 15

Lot 1 • ECR 8923 MISS ADVANCE 3300

AHA Reg. #44510923 :: DOB: 3/16/23 :: Horned :: Tattoo 3300

H FHF ADVANCE 628 ET
ECR 628 IVY'S ADVANCE 8923 ET
ECR MISS SENSATION 4406 ET

HH ADVANCE 4075B ET
FHF 408 RITA 21W
UPS SENSATION 2296 ET
ECR LADY FLOW 212ET

ECR 2029 ADV DOMINO 5204
ECR 5204 DOMINETTE 9625
ECR 0133 LUCY 2410

HH ADVANCE 2029Z ET
DKF 860 DOMINETTE 0397 ET
K&B ADVANCER 0133X ET
ECR 7195 LUCY 9344

| CED | BW | WW | YW | Scrotal | SCF | MILK | ACT BW | ADJ WW |
|-----|-------|------|------|---------|------|------|---------|---------|
| 2.4 | 2.4 | 54 | 86 | 1.1 | 14.5 | 35 | 80 | 563 |
| M&G | UDDER | TEAT | REA | MARB | BMIS | CHBS | LE FIG. | RE FIG. |
| 62 | 1.0 | 1.0 | 0.71 | 0.10 | 337 | 127 | 100 | 100 |

- ALL ANIMALS ARE LOT TAGGED AS THEY COME THROUGH THE CHUTE**
- Really nice looking, cowy made Sancho daughter to start off the catalog
 - Interesting pedigree with one of our keeper bulls close on the cow side with power from 0133 and maternal perfection from one of the best 7195 daughters back in there



• Lot 4 • ECR 8086 Lady Dancer 3009



• Lot 6 •
ECR 5707 Annie 3302



• Lot 5 • ECR 721 Miss Excel 3072



ECR Shameless 7586 ET
Maternal Grand sire of Lot 6



Lot 4 • ECR 8086 LADY DANCER 3009

AHA Reg. #44517509 :: DOB: 2/15/23 :: Polled :: Tattoo 3009

DS 1045 ADVANCE 3575N
STARDANCE M8086 ET
CHURCHILL LADY 284Z ET

ECR 738 SLEEP ON 8194
ECR 8194 DOMINETTE 1085
ECR 7094 DOMINETTE 9052

HH ADVANCE 1045L
DS 6805 MS TROY 8605
CHURCHILL SENSATION 028X
CHURCHILL LADY 6109S ET

BAR JZ SLEEP ON 738C
ECR 10Y GOLDE4N GIRL 6496 ET
ECR 394 DOMINO 7094
ECR 2109 DOMINETTE 7473

| CED | BW | WW | YW | Scrotal | SCF | MILK | ACT BW | ADJ WW |
|-----|-------|------|------|---------|------|------|---------|---------|
| 9.8 | 0.6 | 59 | 91 | 1.5 | 18.5 | 35 | 65 | 624 |
| M&G | UDDER | TEAT | REA | MARB | BMS | CHBS | LE PIG. | RE PIG. |
| 65 | 1.1 | 1.25 | 0.34 | 0.54 | 400 | 156 | 20 | 100 |

- Cow cow cow. Very high calving ease direct, low BW yet still has plenty of growth with great teat / udder and a **TON of MARBLING**
- Big time potential here! Updated EPD's since data pull has her calving ease and CHB going up
- Great breeding piece and a potential to make a donor pen someday



Lot 5 • ECR 721 MISS EXCEL 3072

AHA Reg. #44508288 :: DOB: 2/23/23 :: Horned :: Tattoo 3072

CL 1 DOMINO 215Z
F 215Z DOMINO 721
F 105Y DOMINETTE 420

ECR 2296 SENSATION 7787 ET
ECR 7787 MISS EXCEL 1280
ECR MISS EXCEL 1379

CL 1 DOMINO 9122W 1ET
CL 1 DOMINETTE 055X
CL 1 DOMINO 105Y
F 5216 DOMINETTE 228

UPS SENSATION 2296 ET
ECR LADY FLOW 211ET
K&B EXCEL 5042
ECR 5131 MISS JENNY 519

| CED | BW | WW | YW | Scrotal | SCF | MILK | ACT BW | ADJ WW |
|-----|-------|------|------|---------|------|------|---------|---------|
| 4.0 | 2.8 | 53 | 85 | 0.8 | 23.2 | 37 | 79 | 621 |
| M&G | UDDER | TEAT | REA | MARB | BMS | CHBS | LE PIG. | RE PIG. |
| 63 | 1.2 | 1.3 | 0.34 | 0.20 | 447 | 116 | 25 | 0 |

- Longer bodied heifer that's super attractive with calving ease from her maternally bred sire 721 and added power coming from her mothers side having 7787 in there. Traces back to 5042 who was a mainstay herd bull here for years

Lot 6 • ECR 5707 ANNIE 3302

AHA Reg. #44512231 :: DOB: 3/17/23 :: Polled :: Tattoo 3302

ECR 3116 ADVENTURE 7647 ET
BK HESTON 5707H
BK COOL BEANS 5707C

ECR SHAMELESS 7586 ET
ECR 7586 SHARON 0353
ECR 5201 SHARON 7445

BR NITRO AVENTUS 3116 ET
ECR MISS SENSATION 4356 ET
VH MR BG 1104
HAPP KOOL AID POINTS 1218 ET

DKF RO CASH FLOW 0245 ET
RV GOLDEN LADY 5064
ECR 1103 TURBO 5201
ECR MISS SHARON 5092

| CED | BW | WW | YW | Scrotal | SCF | MILK | ACT BW | ADJ WW |
|------|-------|------|-----|---------|------|------|---------|---------|
| -2.4 | 3.4 | 58 | 98 | 0.6 | 16.7 | 30 | 84 | 620 |
| M&G | UDDER | TEAT | REA | MARB | BMS | CHBS | LE PIG. | RE PIG. |
| 59 | 1.2 | 1.3 | 0.6 | 0.01 | 354 | 111 | 0 | 80 |

- Longer bodied type female, has ample look and eye appeal
- Has the look of one that would make a nice junior project and also one that would raise a junior project



• Lot 7 • ECR 173 Mindy 3282



• Lot 8 • ECR 5707 Lady Diamond 3335

Lot 7 • ECR 173 MINDY 3282

AHA Reg. #44512129 :: DOB: 3/15/23 :: Polled :: Tattoo 3282

KCF BENNETT ENCORE Z311 ET
NJW 79Z Z311 ENDURE 173D ET
 BW 91H 100W RITA 79Z ET

CHURCHILL BRAVO 3275A ET
ECR 3275 MISS ADVANCE 8331
 ECR 2029 MISS ADVANCE 5226

SCHU-LAR ON TARGET 225
 KCF MISS REVOLUTION X338 ET
 NIW 73S M326 TRUST 100W ET
 REMITALL RITA 91H

HH ADVANCE 0132X
 CHURCHILL LADY 9123W ET
 HH ADVANCE 2029Z ET
 ECR LADY EXCEL 2452

| CED | BW | WW | YW | Scrotal | SCF | MILK | ACT BW | ADI WW |
|-----|-------|------|------|---------|------|------|---------|---------|
| 4.5 | 3.8 | 62 | 100 | 1.1 | 17.7 | 26 | 84 | 564 |
| M&G | UDDER | TEAT | REA | MARB | BMIS | CHBS | LE FIG. | RE FIG. |
| 57 | 1.0 | 1.1 | 0.72 | 0.21 | 407 | 158 | 60 | 100 |

• Not often that **ENDURE** daughters get offered for sale, almost never here, with limited semen left the chances to buy them in the future will be very rare



NJW 79Z Z311 Endure 173D ET
 Sire of Lot 7

Lot 8 • ECR 5707 LADY DIAMOND 3335

AHA Reg. #44510796 :: DOB: 3/19/23 :: Polled :: Tattoo 3335

ECR 3116 ADVENTURE 7647 ET
BK HESTON 5707H
 BK COOL BEANS 5707C

F 215Z DOMINO 721
ECR 53D LADY DIAMOND 0205
 ECR LADY OF DIAMONDS 7567

BR NITRO AVENTUS 3116 ET
 ECR MISS SENSATION 4356 ET
 VH MR BG 1104
 HAPP KOOL AID POINTS 1218 ET

CL 1 DOMINO 215Z
 F 105Y DOMINETTE 420
 UPS UNDISPUTED ET
 ECR MISS SENSATION 4406 ET

| CED | BW | WW | YW | Scrotal | SCF | MILK | ACT BW | ADI WW |
|-----|-------|------|------|---------|------|------|---------|---------|
| 3.4 | 2.5 | 60 | 100 | 1.1 | 20.1 | 36 | 83 | 544 |
| M&G | UDDER | TEAT | REA | MARB | BMIS | CHBS | LE FIG. | RE FIG. |
| 66 | 1.2 | 1.3 | 0.55 | 0.13 | 409 | 122 | 100 | 0 |

- Some big time EPD's on a big time fancy heifer calf
- Traces way back to the donor cow 4406 (aka Ivy) who is Sancho's mom
- Soft haired and just about as cute as Ivy herself

Check our website and social media
 after February 1st for videos of all the sale cattle





• Lot 9 • ECR 5707 Dominette 3682

Lot 9 • ECR 5707 DOMINETTE 3682

AHA Reg. #44516234 :: DOB: 4/28/23 :: Horned :: Tattoo 3682

BR NITRO AVENTUS 3116 ET
 ECR MISS SENSATION 4356 ET
 VH MR BG 1104
 HAPP KOOL AID POINTS 1218 ET

DKF RO CASH FLOW 0245 ET
 RV GOLDEN LADY 5064
 CL 1 DOMINO 2109Z
 KB L1 DOMINETTE 425B

ECR 3116 ADVENTURE 7647 ET
BK HESTON 5707H
 BK COOL BEANS 5707C

ECR SHAMELESS 7586 ET
ECR 7586 DOMINETTE 0450
 ECR 2109 DOMINETTE 6022

| CED | BW | WW | YW | Scrotal | SCF | MILK | ACT BW | ADJ WW |
|-----|-------|------|------|---------|------|------|---------|---------|
| 1.3 | 3.2 | 58 | 97 | 0.6 | 16.0 | 28 | 83 | 562 |
| M&G | UDDER | TEAT | REA | MARB | BMIS | CHBS | LE PIG. | RE PIG. |
| 57 | 1.1 | 1.2 | 0.59 | -0.01 | 341 | 106 | 0 | 100 |

- 13% above average weaning weight
- Huge spread on paper with a low BW and a high WW / YW
- This one gets a bit more power from her mother's side being a Shameless daughter



• Lot 12 • ECR 8923 Miss Advance 3748

Lot 12 • ECR 8923 MISS ADVANCE 3748

AHA Reg. #44500826 :: DOB: 5/14/23 :: Horned :: Tattoo 3748

HH ADVANCE 4075B ET
 FHF 408 RITA 21W
 UPS SENSATION 2296 ET
 ECR LADY FLOW 212ET

RV 9021W OUTLIER 4921
ECR OTL DOMINETTE 7636
 ECR 7195 DOMINETTE 9271

H FHF ADVANCE 628 ET
ECR 628 IVYS ADVANCE 8923 ET
 ECR MISS SENSATION 4406 ET

KCF BENNETT REVOLUTION X51
 K&B LADY SENTRY 9021W
 HH ADVANCE 7195T
 ECR MISS CENTURION 7024

| CED | BW | WW | YW | Scrotal | SCF | MILK | ACT BW | ADJ WW |
|-----|-------|------|------|---------|------|------|---------|---------|
| 3.2 | 2.3 | 57 | 89 | 1.0 | 19.5 | 30 | 80 | 570 |
| M&G | UDDER | TEAT | REA | MARB | BMIS | CHBS | LE PIG. | RE PIG. |
| 59 | 1.1 | 1.2 | 0.82 | 0.17 | 420 | 137 | 100 | 100 |

- Sancho daughter out of an Outlier daughter back to 7195, fun pedigree
- Just a May baby
- Deep bodied, easy fleshing heifer here that's got that momma cow look

Lot 14 • ECR 1002 MISS FORTIFIED 3502

AHA Reg. #44512878 :: DOB: 4/6/23 :: Polled :: Tattoo 3502

BOYD FT KNOX 17Y XZ5 4040
 NJW 16S 100W JOEY 84B ET
 CL 1 DOMINO 2109Z
 ECR 2029 MISS ADVANCE 5082

HYALITE ON TARGET 936
 BAR JZ VIRGINIA 500Y
 CL 1 DOMINO 860U
 ECR 7195 DOMINETTE 0051

NJW 84B 4040 FORTIFIED 238F
ECR 238 FORTIFIED 1002
 ECR MISS TATER TOT 8827 ET

BAR JZ SLEEP ON 738C
ECR 738 DOMINETTE 7199
 ECR 860 DOMINETTE 5153

| CED | BW | WW | YW | Scrotal | SCF | MILK | ACT BW | ADJ WW |
|-----|-------|------|------|---------|------|------|---------|---------|
| 4.3 | 1.1 | 62 | 94 | 1.4 | 15.6 | 27 | 82 | 625 |
| M&G | UDDER | TEAT | REA | MARB | BMIS | CHBS | LE PIG. | RE PIG. |
| 58 | 1.2 | 1.3 | 0.44 | 0.15 | 338 | 114 | 0 | 80 |

- Longer bodied heifer in a trim design
- A Fortified daughter that goes back to interesting sires on the bottom side with the calving ease of Sleep On and the growth and performance from 860



ECR 628 Ivy's Advance 8923 ET "Sancho"
 Sire of Lot 12

Lot 13 • ECR 5707 MISS DIAMOND 3188

AHA Reg. #44506032 :: DOB: 3/2/23 :: Polled :: Tattoo 3188

BR NITRO AVENTUS 3116 ET
 ECR MISS SENSATION 4356 ET
 VH MR BG 1104
 HAPP KOOL AID POINTS 1218 ET

LJR 023R WHITMORE 10W
 NJW 16S 100W JOEY 84B ET
 UPS UNDISPUTED ET
 ECR 2029 MISS ADVANCE 4102

ECR 3116 ADVENTURE 7647 ET
BK HESTON 5707H
 BK COOL BEANS 5707C

NJW 84B 10W JOURNEY 53D
ECR 53D MISS DIAMOND 0309
 ECR 3304 MISS DIAMOND 7137

| CED | BW | WW | YW | Scrotal | SCF | MILK | ACT BW | ADJ WW |
|-----|-------|------|-----|---------|------|------|---------|---------|
| 2.0 | 3.2 | 62 | 101 | 0.9 | 20.1 | 30 | 86 | 568 |
| M&G | UDDER | TEAT | REA | MARB | BMIS | CHBS | LE PIG. | RE PIG. |
| 61 | 1.2 | 1.3 | 0.5 | 0.04 | 399 | 108 | 0 | 30 |

- Got some bigger performance EPD's in a striking package
- Really like the cow side of her pedigree with 53D daughter and an Undisputed daughter that shows up in more pedigrees in this sale than just this heifer calf
- Don't miss this one



• Lot 10 • ECR 5707 Miss Fortified 3376

Lot 10 • ECR 5707 MISS FORTIFIED 3376

AHA Reg. #44512160 :: DOB: 3/25/23 :: Polled :: Tattoo 3376

BR NITRO AVENTUS 3116 ET
 ECR MISS SENSATION 4356 ET
 VH MR BG 1104
 HAPP KOOL AID POINTS 1218 ET

BOYD FT KNOX 17Y XZ5 4040
 NJW 16S 100W JOEY 84B ET
 BAR JZ SLEEP ON 738C
 ECR 0133 CHRISTI 6172

ECR 3116 ADVENTURE 7647 ET
BK HESTON 5707H
 BK COOL BEANS 5707C

NJW 84B 4040 FORTIFIED 238F
ECR 238 LADY FORTIFY 0047
 ECR 738 CHRISTI 8038

| CED | BW | WW | YW | Scrotal | SCF | MILK | ACT BW | ADJ WW |
|-----|-------|------|------|---------|------|------|---------|---------|
| 3.3 | 2.4 | 58 | 93 | 1.0 | 18.6 | 32 | 82 | 600 |
| M&G | UDDER | TEAT | REA | MARB | BMIS | CHBS | LE PIG. | RE PIG. |
| 61 | 1.3 | 1.4 | 0.46 | 0.09 | 380 | 114 | 100 | 100 |

- 5707 out of a really good Fortified daughter
- This one has the look of a momma cow
- All the good looks in a calving ease package. Low birthweight pedigree throughout

Lot 11 • ECR 238 LADY FORTIFIED 3172

AHA Reg. #44506642 :: DOB: 3/1/23 :: Polled :: Tattoo 3172

BOYD FT KNOX 17Y XZ5 4040
 NJW 16S 100W JOEY 84B ET
 CL 1 DOMINO 2109Z
 ECR 2029 MISS ADVANCE 5082

HYALITE ON TARGET 936
 BAR JZ VIRGINIA 500Y
 CL 1 DOMINO 860U
 ECR 7195 DOMINETTE 0051

NJW 84B 4040 FORTIFIED 238F
ECR 238 FORTIFIED 1002
 ECR MISS TATER TOT 8827 ET

CL 1 DOMINO 2109Z
ECR 2109 DOMINETTE 6256
 DKF 7195 SASSY 0016

| CED | BW | WW | YW | Scrotal | SCF | MILK | ACT BW | ADJ WW |
|-----|-------|------|------|---------|------|------|---------|---------|
| 4.7 | 0.8 | 50 | 77 | 1.3 | 19.0 | 22 | 87 | 580 |
| M&G | UDDER | TEAT | REA | MARB | BMIS | CHBS | LE PIG. | RE PIG. |
| 47 | 1.3 | 1.4 | 0.33 | 0.12 | 381 | 106 | 100 | 100 |

- After getting a good look at this ones extended pedigree we probably need to put her back in the replacement pen. My old show heifer from the early 90's "Sassy" isn't all that far back
- Middle framed heifer that's got some power and plenty of body



• Lot 11 • ECR 238 Lady Fortified 3172



• Lot 13 • ECR 5707 Miss Diamond 3188



• Lot 14 • ECR 1002 Miss Fortified 3502



• Lot 15 • ECR 5707 Miss Endure 3561

Lot 15 • ECR 5707 MISS ENDURE 3561

AHA Reg. #44515054 :: DOB: 4/9/23 :: Polled :: Tattoo 3561

ECR 3116 ADVENTURE 7647 ET BR NITRO AVENTUS 3116 ET
BK HESTON 5707H ECR MISS SENSATION 4356 ET
 BK COOL BEANS 5707C VH MR BG 1104
 HAPP KOOL AID POINTS 1218 ET
 NJW 79Z Z311 ENDURE 173D ET KCF BENNETT ENCORE Z311 ET
ECR 173D LADY ENDURE 0415 BW 91H 100W RITA 79Z ET
 ECR DOMINETTE 2399 ECR 175E DOMINO 8183
 ECR 767 MISS HOTTIE 564

| CED | BW | WW | YW | Scrotal | SCF | MILK | ACT BW | ADJ WW |
|-----|-------|------|------|---------|------|------|---------|---------|
| 5.2 | 2.2 | 58 | 96 | 0.9 | 18.1 | 33 | 76 | 568 |
| M&G | UDDER | TEAT | REA | MARB | BMIS | CHBS | LE FIG. | RE FIG. |
| 61 | 1.2 | 1.3 | 0.69 | 0.12 | 388 | 130 | 100 | 100 |



NJW 79Z Z311 Endure 173D ET
 Maternal Grand sire of Lot 15

- Proof that the Endure daughters get it done
- Long bodied, attractive female that's level down her top and has plenty of mass and power
- Nice set of EPD's stretching from low 2's BW to high end YW, great carcass data and CHB

AHA GE-EPD

The Power of Genomically Enhanced EPDs

The American Hereford Association (AHA) has embraced the use of genomics into their genetic evaluation by launching a first of its kind single step analysis that utilizes the marker effects of specific traits. Likewise, AHA is directly estimating accuracy values rather than approximating. The direct estimation of accuracy results in a more conservative value but a more accurate value than previous methodologies. The AHA is producing the most reliable genetic evaluation that is supported by Whole Herd TPR™ and genomics, which will give prospective buyers added confidence in purchasing young and unproven animals.

Buying animals that have a genomic profile incorporated into their Expected Progeny Difference (EPD) offers many advantages that allow for quicker breed and herd improvement. Below is a table showing the average increase in accuracy when buying a young animal with a Genomic Enhanced EPD (GE-EPD) versus an animal without a GE-EPD. Similarly, an effective progeny number increase is listed by trait that shows how many progeny equate to a genomic enhancement of a young animal (e.g. yearling). That's right, buying a young animal that has been genotyped is like having 2-17 progeny, depending on the trait. The proof gained on young, non-parent animals, through a genomic enhancement is valuable and greatly mitigates the risk and allows for more directed selection.



Each animal tested is recognized with the AHA GE-EPD logo.

| AHA Trait | Accuracy Improvement | Effective Progeny Number Increase* |
|-----------------------|----------------------|------------------------------------|
| Calving Ease | 0.09 | 17 |
| Birth Weight | 0.12 | 8 |
| Weaning Weight | 0.14 | 12 |
| Yearling Weight | 0.16 | 9 |
| Scrotal Circumference | 0.17 | 6 |
| Mature Cow Weight | 0.12 | 4 |
| Udder Suspension | 0.17 | 7 |
| Teat Size | 0.17 | 7 |
| Carcass Weight | 0.11 | 3 |
| Fat | 0.08 | 2 |
| Rib-Eye Area | 0.07 | 2 |
| Marbling | 0.10 | 3 |

* Effective Progeny Number Increase (EPNI)- EPNI is the difference gained for genotyped animals versus non-genotyped animals.





• Lot 16 • ECR 1026 Domino 3389



• Lot 18 •
ECR 1103 Domino 3197

• Lot 17 • ECR 5707 Buckshot 3368



BK Heston 5707H
Sire of Lot 17



LW 7131 Domino 1103J ET
Sire of Lot 18

Lot 17 • ECR 5707 BUCKSHOT 3368

AHA Reg. #44512229 :: DOB: 3/23/23 :: Horned :: Tattoo 3368

ECR 3116 ADVENTURE 7647 ET
BK HESTON 5707H
BK COOL BEANS 5707C

BR NITRO AVENTUS 3116 ET
ECR MISS SENSATION 4356 ET
VH MR BG 1104
HAPP KOOL AID POINTS 1218 ET

NJW 79Z Z311 ENDURE 173D ET
ECR 173D DOMINETTE 0392
ECR 2109 DOMINETTE 5005

KCF BENNETT ENCORE Z311 ET
BW 91H 100W RITA 79Z ET
CL 1 DOMINO 2109Z
ECR BANDITA 3372

| CED | BW | WW | YW | Scrotal | SCF | MILK | ACT BW | ADJ WW |
|-----|-------|------|------|---------|------|------|---------|---------|
| 3.3 | 3.3 | 64 | 107 | 0.9 | 17.8 | 32 | 84 | 759 |
| M&G | UDDER | TEAT | REA | MARB | BMIS | CHBS | LE PIG. | RE PIG. |
| 64 | 1.2 | 1.3 | 0.81 | 0.10 | 392 | 137 | 90 | 100 |

ADJ. SCROTAL 39

- Middle framed bull with an abundance of power
- Great set of EPD's offering growth and carcass with a below average BW

Lot 18 • ECR 1103 DOMINO 3197

AHA Reg. #44511850 :: DOB: 3/3/23 :: Polled :: Tattoo 3197

CL 1 DOMINO 7131E 1ET
LW 7131 DOMINO 1103J ET
LW 3006 MISS ADVANCE 720E ET

HH ADVANCE 5044C ET
CL 1 DOMINETTE 3175A
HH ADVANCE 3006A
CL 1 DOMINETTE 055X

HH ADVANCE 5002C
ECR 5002 LADY REWARDS 8223
ECR 3371 LADY REWARDS 6413

HH ADVANCE 3006A
HH MISS ADVANCE 3124A
ECR REWARD 3371 ET
ECR 9126 DOMINETTE 9246

| CED | BW | WW | YW | Scrotal | SCF | MILK | ACT BW | ADJ WW |
|-----|-------|------|------|---------|------|------|---------|---------|
| 0.6 | 2.5 | 59 | 98 | 1.5 | 15.5 | 32 | 84 | 717 |
| M&G | UDDER | TEAT | REA | MARB | BMIS | CHBS | LE PIG. | RE PIG. |
| 61 | 1.3 | 1.3 | 0.28 | 0.15 | 352 | 127 | 100 | 100 |

ADJ. SCROTAL 38

- Great set of EPD's with moderate BW and plenty of growth
- Carcass numbers show a big ribeye and with CHB in top 6% of the breed

Lot 16 • ECR 1026 DOMINO 3389

AHA Reg. #44506148 :: DOB: 3/28/23 :: Horned :: Tattoo 3389

CL 1 DOMINO 6128D 1ET
LW 6128 DOMINO 1026J ET
HH MISS ADVANCE 1005Y ET

F 215Z DOMINO 721
ECR 721 DOMINETTE 0035
ECR 394 DOMINETTE 8182

CL 1 DOMINO 386A 1ET
CL 1 DOMINETTE 055X
HH ADVANCE 4055P
HH MISS ADVANCE 7142T

CL 1 DOMINO 215Z
F 105Y DOMINETTE 420
CL 1 DOMINO 394A
ECR 1157 DOMINETTE 4520

| CED | BW | WW | YW | Scrotal | SCF | MILK | ACT BW | ADJ WW |
|-----|-------|------|------|---------|------|------|---------|---------|
| 0.3 | 3.7 | 64 | 100 | 0.8 | 19.4 | 36 | 90 | 745 |
| M&G | UDDER | TEAT | REA | MARB | BMIS | CHBS | LE PIG. | RE PIG. |
| 68 | 1.3 | 1.4 | 0.35 | 0.3 | 396 | 121 | 25 | 75 |

ADJ. SCROTAL 36.5

- Straight Horned
- 5% above average weaning weight
- Mass and power on the top side and calving ease on the bottom of his pedigree
- Well balanced, sound functional



LW 6128 Domino 1026J ET
Sire of Lot 16



• Lot 19 • ECR 173 Endure 3342



• Lot 20 • ECR 1103 Domino 3262



LW 7131 Domino 1103J ET
Sire of Lot 20



• Lot 21 •
ECR LW Montana 370 ET



Lot 19 • ECR 173 ENDURE 3342

AHA Reg. #44510549 :: DOB: 3/19/23 :: Polled :: Tattoo 3342

KCF BENNETT ENCORE Z311 ET
NJW 79Z Z311 ENDURE 173D ET
BW 91H 100W RITA 79Z ET

SCHU-LAR ON TARGET 22S
KCF MISS REVOLUTION X338 ET
NJW 73S M326 TRUST 100W ET
REMITALL RITA 91H

CL 1 DOMINO 394A
ECR 394 DOMINETTE 9243
ECR MISS REWARDS 6492

CL 1 DOMINO 105Y
CL 1 DOMINETTE 7157T
ECR REWARD 3371 ET
MONTANA MISS 105Y

| CED | BW | WW | YW | Scrotal | SCF | MILK | ACT BW | ADJ WW |
|-----|-------|------|------|---------|------|------|---------|---------|
| 3.6 | 3.5 | 68 | 114 | 1.1 | 19.6 | 29 | 89 | 861 |
| M&G | UDDER | TEAT | REA | MARB | BMIS | CHBS | LE PIG. | RE PIG. |
| 64 | 1.1 | 1.2 | 0.75 | 0.17 | 432 | 153 | 100 | 100 |

ADJ. SCROTAL 39

- Long bodied **ENDURE** with more than average depth and full pigment
- A true stand out in terms of rib shape and depth within the group
- EPD's to set him on the top tier and a go to sire on any level
- Great blend of maternal and power on his cow side



NJW 79Z Z311 Endure 173D ET
Sire of Lot 19

Lot 20 • ECR 1103 DOMINO 3262

AHA Reg. #44512135 :: DOB: 3/12/23 :: Horned :: Tattoo 3262

CL 1 DOMINO 7131E 1ET
LW 7131 DOMINO 1103J ET
LW 3006 MISS ADVANCE 720E ET

HH ADVANCE 5044C ET
CL 1 DOMINETTE 3175A
HH ADVANCE 3006A
CL 1 DOMINETTE 055X

NJW 84B 10W JOURNEY 53D
ECR 53D CHRISTI 9053
ECR 3304 CHRISTI 7244

LJR 023R WHITMORE 10W
NJW 16S 100W JOEY 84B ET
UPS UNDISPUTED ET
ECR CHRISTI 4028

| CED | BW | WW | YW | Scrotal | SCF | MILK | ACT BW | ADJ WW |
|-----|-------|------|------|---------|------|------|---------|---------|
| 1.4 | 2.2 | 61 | 100 | 1.4 | 20.5 | 33 | 88 | 661 |
| M&G | UDDER | TEAT | REA | MARB | BMIS | CHBS | LE PIG. | RE PIG. |
| 64 | 1.3 | 1.4 | 0.41 | 0.13 | 423 | 125 | 100 | 100 |

ADJ. SCROTAL 39

- High quality horned bull with growth and calving ease bred in throughout his pedigree
- His offspring will wean off heavy and his daughters will have excellent teat / udder
- Short marked baldy maker

Lot 21 • ECRLW MONTANA 370 ET

AHA Reg. #44519672 :: DOB: 1/14/23 :: Horned :: Tattoo 370

UPS SENSATION 2296 ET
H MONTGOMERY 7437 ET
RST GAT NST Y79D LADY 54B ET

CHURCHILL SENSATION 028X
UPS JT MISS NEON 7811 1ET
WORR OWEN TANKERAY Y79D ET
H H LADY MAXIUM 111 ET

C MILES MCKEE 2103 ET
CHURCHILL LADY 700E ET
TCC MS DIANA 01

NJW 98S R117 RIBEYE 88X ET
C NOTICE ME ET
CRR ABOUT TIME 743
TCC MISS SHELBY 82 ET

| CED | BW | WW | YW | Scrotal | SCF | MILK | ACT BW | ADJ WW |
|-----|-------|------|------|---------|------|------|---------|---------|
| 4.4 | 2.4 | 52 | 84 | 0.7 | 23.1 | 38 | 83 | 700 |
| M&G | UDDER | TEAT | REA | MARB | BMIS | CHBS | LE PIG. | RE PIG. |
| 64 | 1.2 | 1.2 | 0.75 | 0.14 | 477 | 138 | 100 | 70 |

ADJ. SCROTAL 37

- Middle framed bull with mass and power
- Easy fleshing, easy to handle and easy to find in the pen
- Big ribeye and CHB



• Lot 22 • ECR 238 Fortified 3213



NJW 84B 4040 Fortified 238F
Sire of Lot 22

Lot 22 • ECR 238 FORTIFIED 3213

AHA Reg. #44506236 :: DOB: 3/8/23 :: Polled :: Tattoo 3213

BOYD FT KNOX 17Y XZ5 4040 TH 22R 16S LAMBEAU 17Y
NJW 84B 4040 FORTIFIED 238F DOSS MY EYES ADORE U DHZ5
 NJW 16S 100W JOEY 84B ET NJW 73S M326 TRUST 100W ET
 TLELL 117F JOEY 16S
 CL 1 DOMINO 394A CL 1 DOMINO 105Y
ECR 394 MISS ADVANCE 9472 CL 1 DOMINETTE 7157T
 CL 1 DOMINO 2141Z 1ET
 ECR 2141 MISS ADVANCE 5173 ECR MISS ADVANCE 2422

| CED | BW | WW | YW | Scrotal | SCF | MILK | ACT BW | ADJ WW |
|-----|-------|------|------|---------|------|------|---------|---------|
| 2.7 | 2.3 | 57 | 90 | 1.3 | 17.5 | 28 | 88 | 743 |
| M&G | UDDER | TEAT | REA | MARB | BMIS | CHBS | LE PIG. | RE PIG. |
| 57 | 1.2 | 1.4 | 0.25 | 0.22 | 362 | 114 | 80 | 100 |

ADJ. SCROTAL 41

- Fortified has been a go to low birthweight option for us at the ranch but has seen extended use not only on heifers but also mature cows do to the quality of cattle he produces
- Calving ease on both sides of his pedigree with exceptional growth EPD's and true performance



• Lot 23 • ECR 173D Endure 3298

Lot 23 • ECR 173 ENDURE 3298

AHA Reg. #44512232 :: DOB: 3/16/23 :: Polled :: Tattoo 3298

KCF BENNETT ENCORE Z311 ET SCHU-LAR ON TARGET 22S
NJW 79Z Z311 ENDURE 173D ET KCF MISS REVOLUTION X338 ET
 BW 91H 100W RITA 79Z ET NJW 73S M326 TRUST 100W ET
 REMITALL RITA 91H
 H FHF ADVANCE 628 ET HH ADVANCE 4075B ET
ECR 628 MISS EXCEL 8592 FHF 408 RITA 21W
 ECR LADY EXCEL 2452 DKF 477 EXCEL 8241
 ECR L18 JEWELS 555

| CED | BW | WW | YW | Scrotal | SCF | MILK | ACT BW | ADJ WW |
|-----|-------|------|------|---------|------|------|---------|---------|
| 3.8 | 4.0 | 68 | 112 | 1.1 | 16.1 | 28 | 88 | 809 |
| M&G | UDDER | TEAT | REA | MARB | BMIS | CHBS | LE PIG. | RE PIG. |
| 62 | 1.2 | 1.2 | 0.95 | 0.14 | 392 | 163 | 100 | 90 |

ADJ. SCROTAL 41

- Long bodied Endure that offers a tremendous EPD profile yet still has a phenotype that is ideal
- Trim in his design with a huge ribeye and CHB



NJW 79Z Z311 Endure 173D ET
Sire of Lot 23



• Lot 24 • ECR 173D Endure 3169

Lot 24 • ECR 173 ENDURE 3169

AHA Reg. #44512049 :: DOB: 3/4/23 :: Polled :: Tattoo 3169

KCF BENNETT ENCORE Z311 ET
NJW 79Z Z311 ENDURE 173D ET
 BW 91H 100W RITA 79Z ET

SCHU-LAR ON TARGET 22S
 KCF MISS REVOLUTION X338 ET
 NJW 73S M326 TRUST 100W ET
 REMITALL RITA 91H

UPS UNDISPUTED ET
ECR 3304 BOBBIES DIAMOND 6080
 ECR BOBBIE DOM 4409

SHF WONDER M326 W18 ET
 UPS MISS DIAMOND 1353
 ECR L18 EXTRA DEEP 9279
 ECR 7195 DOMINETTE 9116

| CED | BW | WW | YW | Scrotal | SCF | MILK | ACT BW | ADJ WW |
|-----|-------|------|------|---------|------|------|---------|---------|
| 4.1 | 3.1 | 64 | 103 | 1.2 | 22.5 | 33 | 88 | 850 |
| M&G | UDDER | TEAT | REA | MARB | BMIS | CHBS | LE FIG. | RE FIG. |
| 65 | 1.2 | 1.2 | 0.87 | 0.21 | 487 | 167 | 100 | 100 |

ADJ. SCROTAL 41

- More than just a pretty picture here
- The phenotype that will get him found in the catalog but a set of EPD's and pedigree that makes him the highly sought after kind
- Great spread from BW to WW / YW



• Lot 26 •
ECR 238 Fortified 3079

Lot 26 • ECR 238 FORTIFIED 3079

AHA Reg. #44518648 :: DOB: 2/24/23 :: Polled :: Tattoo 3079

BOYD FT KNOX 17Y XZ5 4040
NJW 84B 4040 FORTIFIED 238F
 NJW 16S 100W JOEY 84B ET

TH 22R 16S LAMBEAU 17Y
 DOSS MY EYES ADORE U DHZ5
 NJW 73S M326 TRUST 100W ET
 TLELL 117F JOEY 16S

MC ADVANCE 955W 1628 ET
ECR 1628 MISS ADVANCE 1526
 ECR 311 DOMINETTE 8135

CL 1 DOMINO 955W
 HH MISS ADVANCE 1079Y ET
 GB L1 DOMINO 311W
 ECR HIGH CLASS LADY 1290

| CED | BW | WW | YW | Scrotal | SCF | MILK | ACT BW | ADJ WW |
|-----|-------|------|------|---------|------|------|---------|---------|
| 6.0 | 1.8 | 58 | 93 | 1.4 | 16.1 | 24 | 80 | 868 |
| M&G | UDDER | TEAT | REA | MARB | BMIS | CHBS | LE FIG. | RE FIG. |
| 53 | 1.25 | 1.4 | 0.45 | 0.18 | 347 | 120 | 100 | 100 |

ADJ. SCROTAL 40

- Heifer bull with quality
- Calving ease with exceptional growth and performance
- 19% above average at weaning



NJW 79Z Z311 Endure 173D ET
Sire of Lot 24 & 25



• Lot 25 •
ECR 173 Endure 3303

Lot 25 • ECR 173 ENDURE 3303

AHA Reg. #44510794 :: DOB: 3/17/23 :: Polled :: Tattoo 3303

KCF BENNETT ENCORE Z311 ET
NJW 79Z Z311 ENDURE 173D ET
 BW 91H 100W RITA 79Z ET

SCHU-LAR ON TARGET 22S
 KCF MISS REVOLUTION X338 ET
 NJW 73S M326 TRUST 100W ET
 REMITALL RITA 91H

ECR UNDISPUTED 6188
ECR 6188 LUCY 8354
 ECR 7195 LUCY 9344

UPS UNDISPUTED ET
 ECR JACKIE 1338
 HH ADVANCE 7195T
 RB L1 DOMINETTE 8025

| CED | BW | WW | YW | Scrotal | SCF | MILK | ACT BW | ADJ WW |
|-----|-------|------|------|---------|------|------|---------|---------|
| 4.2 | 3.8 | 64 | 103 | 1.4 | 20.8 | 25 | 89 | 769 |
| M&G | UDDER | TEAT | REA | MARB | BMIS | CHBS | LE FIG. | RE FIG. |
| 57 | 1.2 | 1.2 | 0.84 | 0.20 | 460 | 164 | 100 | 100 |

ADJ. SCROTAL 37

- ENDURE son with some big time figures on paper
- Backed by a strong cow family
- Predictability in his pedigree to produce high quality cattle



• Lot 27 •
ECR 1103 Domino 3257

Lot 27 • ECR 1103 DOMINO 3257

AHA Reg. #44510926 :: DOB: 3/11/23 :: Horned :: Tattoo 3257

CL 1 DOMINO 7131E 1ET
LW 7131 DOMINO 1103J ET
 LW 3006 MISS ADVANCE 720E ET

HH ADVANCE 5044C ET
 CL 1 DOMINETTE 3175A
 HH ADVANCE 3006A
 CL 1 DOMINETTE 055X

UPS UNDISPUTED ET
ECR 3304 MISS DIAMOND 8255
 ECR LADY WHO 4340

SHF WONDER M326 W18 ET
 UPS MISS DIAMOND 1353
 ECR WHO MAKER 210 ET
 ECR 19D DOMINETTE 7513

| CED | BW | WW | YW | Scrotal | SCF | MILK | ACT BW | ADJ WW |
|------|-------|------|------|---------|------|------|---------|---------|
| -0.6 | 2.8 | 58 | 94 | 1.1 | 18.6 | 34 | 87 | 800 |
| M&G | UDDER | TEAT | REA | MARB | BMIS | CHBS | LE FIG. | RE FIG. |
| 63 | 1.3 | 1.4 | 0.49 | 0.16 | 408 | 138 | 100 | 100 |

ADJ. SCROTAL 38

- Can't go wrong here, horned bull with some polled genetics mixed in to maximize heterosis
- Balanced EPD's with good carcass, high CHB



• Lot 28 • ECR 1001 Domino 3352



• Lot 29 • ECR 238 Fort Bob 3121

Lot 28 • ECR 1001 DOMINO 3352

AHA Reg. #44511797 :: DOB: 3/21/23 :: Horned :: Tattoo 3352

LW 6128 DOMINO 901G ET
LW 901 DOMINO 1001J
 CL 1 DOMINETTE 7209E

ECR 628 ADVANCE 8014
ECR 8014 DOMINETTE 0024
 ECR 5002 DOMINETTE 8312

CL 1 DOMINO 6128D 1ET
 CL 1 DOMINETTE 160Y 1ET
 CL 1 DOMINO 215Z
 MONTANA MISS 1179Y

H FHF ADVANCE 628 ET
 ECR 0132 DOMINETTE 3374
 HH ADVANCE 5002C
 ECR 2141 DOMINETTE 6107

| CED | BW | WW | YW | Scrotal | SCF | MILK | ACT BW | ADJ WW |
|-----|-------|------|------|---------|------|------|---------|---------|
| 2.9 | 3.0 | 61 | 97 | 1.1 | 17 | 29 | 85 | 738 |
| M&G | UDDER | TEAT | REA | MARB | BMIS | CHBS | LE PIG. | RE PIG. |
| 60 | 1.3 | 1.4 | 0.43 | 0.28 | 370 | 131 | 100 | 100 |

ADJ. SCROTAL 37

- Standout herd bull that is easy to find in the group
- Well balanced EPD's with added ribeye and marbling
- Great pedigree combining calving ease of HH 5002, Cooper 2141 and ECR 8014 without sacrificing one ounce of growth and performance



LW 901 Domino 1001J
 Sire of Lot 28

Lot 29 • ECR 238 FORT BOB 3121

AHA Reg. #44518673 :: DOB: 2/25/23 :: Polled :: Tattoo 3121

BOYD FT KNOX 17Y XZ5 4040
NJW 84B 4040 FORTIFIED 238F
 NJW 16S 100W JOEY 84B ET

ECR 738 SLEEP ON 8194
ECR 8194 BOBBI 1382
 ECR 2109 BOBBI 9268

TH 22R 16S LAMBEAU 17Y
 DOSS MY EYES ADORE U DHZ5
 NJW 73S M326 TRUST 100W ET
 TLELL 117F JOEY 16S

BAR JZ SLEEP ON 738C
 ECR 10Y GOLDE4N GIRL 6496 ET
 CL 1 DOMINO 2109Z
 ECR BOBBI 4004

| CED | BW | WW | YW | Scrotal | SCF | MILK | ACT BW | ADJ WW |
|-----|-------|------|------|---------|------|------|---------|---------|
| 3.6 | 2.3 | 62 | 97 | 1.7 | 17.5 | 30 | 74 | 810 |
| M&G | UDDER | TEAT | REA | MARB | BMIS | CHBS | LE PIG. | RE PIG. |
| 61 | 1.25 | 1.4 | 0.34 | 0.19 | 371 | 122 | 100 | 100 |

ADJ. SCROTAL 39

- Heifer bull
- Fortified out of a Sleep On daughter is an absolute calving ease formula and when you look at the bull's performance he still gets it done
- 8% above average weaning weight while starting life at just 74 pounds
- Still has one of the best set of EPD's with a high WW and YW



NJW 84B 4040 Fortified 238F
 Sire of Lot 29



HH Advance 0025 ET
Sire of Lot 30

Lot 30 • ECR 0025 ADVANCE 3388

AHA Reg. #44506179 :: DOB: 3/27/23 :: Horned :: Tattoo 3388

CL 1 DOMINO 883F 1ET
HH ADVANCE 0025H ET
HH MISS ADVANCE 1010Y ET

SR SAGA 529W
THR MISS THOR 4158B
THR MISS THOR 0223X

CL 1 DOMINO 6128D 1ET
CL 1 DOMINETTE 450B
HH ADVANCE 9144W
HH MISS ADVANCE 6033S ET

CJH HARLAND 408
SR SHANA 3107
SR ORACLE 108
THR MISS THOR 7103T

| CED | BW | WW | YW | Scrotal | SCF | MILK | ACT BW | ADJ WW |
|-----|-------|------|------|---------|------|------|---------|---------|
| 3.2 | 3.7 | 95 | 93 | 1.2 | 18.9 | 32 | 89 | 755 |
| M&G | UDDER | TEAT | REA | MARB | BMIS | CHBS | LE PIG. | RE PIG. |
| 59 | 1.3 | 1.2 | 0.27 | 0.31 | 396 | 134 | 100 | 100 |

ADJ. SCROTAL 37

- Mother is known for raising the good ones
- Sired by a high selling Holden bull that combined tremendous carcass traits and genuine performance
- Added marbling



LW 6128 Domino 901G
Sire of Lot 31

Lot 31 • ECR 901 DOMINO 3355

AHA Reg. #44506240 :: DOB: 3/20/23 :: Horned :: Tattoo 3355

CL 1 DOMINO 6128D 1ET
LW 6128 DOMINO 901G ET
CL 1 DOMINETTE 160Y 1ET

CL 1 DOMINO 394A
ECR 394 DOMINETTE 7397
ECR DOMINETTE 1199

CL 1 DOMINO 386A 1ET
CL 1 DOMINETTE 055X
CL 1 DOMINO 929W
CL 1 DOMINETTE 606S 1ET

CL 1 DOMINO 105Y
CL 1 DOMINETTE 7157T
ECR 5322 SABRE 8100
ECR 175E DOMINETTE 8019

| CED | BW | WW | YW | Scrotal | SCF | MILK | ACT BW | ADJ WW |
|-----|-------|------|------|---------|------|------|---------|---------|
| 2.2 | 2.6 | 56 | 98 | 0.8 | 20.6 | 31 | 87 | 774 |
| M&G | UDDER | TEAT | REA | MARB | BMIS | CHBS | LE PIG. | RE PIG. |
| 59 | 1.3 | 1.3 | 0.44 | 0.36 | 423 | 136 | 80 | 50 |

ADJ. SCROTAL 37

- Powerful straight horned bull
- Longer bodied bull that's trim in his design
- Added carcass values

• Lot 31 • ECR 901 Domino 3355



• Lot 32 • ECR 238 Fortified 3162

Lot 32 • ECR 238 FORTIFIED 3162

AHA Reg. #44511859 :: DOB: 3/1/23 :: Polled :: Tattoo 3162

BOYD FT KNOX 17Y XZ5 4040
NJW 84B 4040 FORTIFIED 238F
NJW 16S 100W JOEY 84B ET

CL 1 DOMINO 394A
ECR 394 DOMINETTE 5498
ECR LADY GEN 449

TH 22R 16S LAMBEAU 17Y
DOSS MY EYES ADORE U DHZ5
NJW 73S M326 TRUST 100W ET
TLELL 117F JOEY 16S

CL 1 DOMINO 105Y
CL 1 DOMINETTE 7157T
KR L1 DOMINO 90S
ECR LADY GE 131

| CED | BW | WW | YW | Scrotal | SCF | MILK | ACT BW | ADJ WW |
|-----|-------|------|------|---------|------|------|---------|---------|
| 5.1 | 1.9 | 60 | 92 | 1.2 | 20 | 25 | 86 | 810 |
| M&G | UDDER | TEAT | REA | MARB | BMIS | CHBS | LE PIG. | RE PIG. |
| 55 | 1.2 | 1.3 | 0.33 | 0.17 | 396 | 112 | 0 | 25 |

ADJ. SCROTAL 40

- Heifer bull that has the power
- 6% above average weaning weight
- Out of a mature cow so his birthweight is higher but his pedigree and EPD's have low birthweight written all over them



Lot 33 • ECR 901 ENDURE 3411

AHA Reg. #44506172 :: DOB: 3/29/23 :: Polled :: Tattoo 3411

CL 1 DOMINO 6128D 1ET
LW 6128 DOMINO 901G ET
 CL 1 DOMINETTE 160Y 1ET

CL 1 DOMINO 386A 1ET
 CL 1 DOMINETTE 055X
 CL 1 DOMINO 929W
 CL 1 DOMINETTE 606S 1ET

NJW 79Z Z311 ENDURE 173D ET
ECR 173 HUNNY 9780
 ECR 43Y HUNNY 5021

KCF BENNETT ENCORE Z311 ET
 BW 91H 100W RITA 79Z ET
 TH 60W 719T VICTOR 43Y
 ECR 1269 HUNNY 3384

| CED | BW | WW | YW | Scrotal | SCF | MILK | ACT BW | ADJ WW |
|-----|-------|------|------|---------|------|------|---------|---------|
| 3.6 | 3.4 | 62 | 102 | 0.9 | 23.5 | 34 | 88 | 753 |
| M&G | UDDER | TEAT | REA | MARB | BMIS | CHBS | LE PIG. | RE PIG. |
| 65 | 1.3 | 1.3 | 0.74 | 0.32 | 489 | 155 | 20 | 20 |

ADJ. SCROTAL 39



• Lot 33 • ECR 901 Endure 3411

- 901 out of an Endure daughter to maximize heterosis
- Long bodied bull with extra performance
- Pedigree designed to make superior baldies or straight bred cattle
- Big time numbers with added carcass values and CHB



• Lot 34 • ECR Sleep On Bob 3115

Lot 34 • ECR SLEEP ON BOB 3115

AHA Reg. #44518675 :: DOB: 2/25/23 :: Polled :: Tattoo 3115

HYALITE ON TARGET 936
BAR JZ SLEEP ON 738C
 BAR JZ VIRGINIA 500Y

SCHU-LAR ON TARGET 22S
 HYALITE TS LASS 310
 TH 122 71I VICTOR 719T
 BAR JZ KYLIE 425S

NJW 84B 4040 FORTIFIED 238F
ECR 238 MISS EXCEL 1061
 ECR 0271 MISS EXCEL 4284

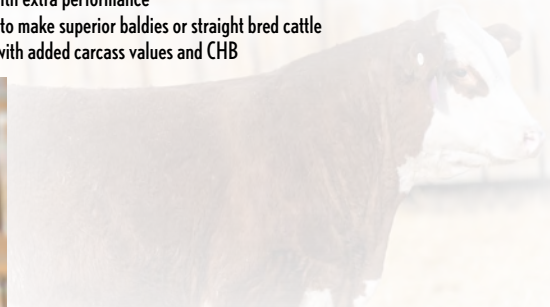
BOYD FT KNOX 17Y XZ5 4040
 NJW 16S 100W JOEY 84B ET
 ECR 4202 DOMINO 0271 ET
 ECR 719S MISS EXCEL 0013

| CED | BW | WW | YW | Scrotal | SCF | MILK | ACT BW | ADJ WW |
|-----|-------|------|------|---------|------|------|---------|---------|
| 5.6 | 0.3 | 54 | 82 | 1.4 | 17.5 | 34 | 73 | 733 |
| M&G | UDDER | TEAT | REA | MARB | BMIS | CHBS | LE PIG. | RE PIG. |
| 61 | 1.35 | 1.55 | 0.22 | 0.22 | 362 | 117 | 100 | 100 |

ADJ. SCROTAL 36

• HEIFER BULL

- Sleep On out of a Fortified daughter that is not only a calving ease specialist but he's good to look at and he's got a nice spread on paper
- Dark colored, full pigment and good looking
- If looking for a frame 7 this is not your bull, but if looking to minimize the stress of calving heifers then you need to look in here



• Lot 35 • ECR 8014 Advance 3156

Lot 35 • ECR 8014 ADVANCE 3156

AHA Reg. #44512056 :: DOB: 2/28/23 :: Horned :: Tattoo 3156

H FHF ADVANCE 628 ET
ECR 628 ADVANCE 8014
 ECR 0132 DOMINETTE 3374

HH ADVANCE 4075B ET
 FHF 408 RITA 21W
 HH ADVANCE 0132X
 ECR 7195 DOMINETTE 9143

CL 1 DOMINO 3141A 1ET
ECR 3141 DOMINETTE 7699
 ECR 9022 DOMINETTE 3208

L1 DOMINO 0854Z
 CL 1 DOMINETTE 440P 1ET
 ECR 4202 DAKOTA LAD 9022
 ECR 860 DOMINETTE 0270

| CED | BW | WW | YW | Scrotal | SCF | MILK | ACT BW | ADJ WW |
|-----|-------|------|------|---------|------|------|---------|---------|
| 3.6 | 2.5 | 50 | 78 | 0.7 | 13.5 | 25 | 87 | 710 |
| M&G | UDDER | TEAT | REA | MARB | BMIS | CHBS | LE PIG. | RE PIG. |
| 50 | 1.2 | 1.3 | 0.37 | 0.05 | 300 | 104 | 100 | 20 |

ADJ. SCROTAL 39

- Longer bodied bull
- Big scrotal with a moderate BW
- Sure to sire a tremendous set of baldies



• Lot 36 • ECR 901 Endure 3203

Lot 36 • ECR 901 ENDURE 3203

AHA Reg. #44511854 :: DOB: 3/4/23 :: Polled :: Tattoo 3203

CL 1 DOMINO 6128D 1ET
LW 6128 DOMINO 901G ET
 CL 1 DOMINETTE 160Y 1ET

CL 1 DOMINO 386A 1ET
 CL 1 DOMINETTE 055X
 CL 1 DOMINO 929W
 CL 1 DOMINETTE 606S 1ET

NJW 79Z Z311 ENDURE 173D ET
ECR 173D LADY ENDURE 8573
 H GH LADY OUTCROSS 1311 ET

KCF BENNETT ENCORE Z311 ET
 BW 91H 100W RITA 79Z ET
 GOLDEN OAK OUTCROSS 18U
 H PAULA 625 ET

| CED | BW | WW | YW | Scrotal | SCF | MILK | ACT BW | ADJ WW |
|-----|-------|------|------|---------|------|------|---------|---------|
| 4.3 | 3.4 | 62 | 105 | 1.1 | 22.1 | 31 | 88 | 816 |
| M&G | UDDER | TEAT | REA | MARB | BMIS | CHBS | LE PIG. | RE PIG. |
| 62 | 1.3 | 1.4 | 0.81 | 0.37 | 476 | 163 | 100 | 100 |

ADJ. SCROTAL 39

- Kyla must have handed me the camera on this one because his picture does not do him justice. He is an absolute powerhouse
- Impactful EPD's to go with his phenotype
- There are several of these 901 sired bulls out of Endure daughters. Seems like it was one of those matings I'd been thinking about for awhile. FIND them and buy them all to maximize consistency in your calf crop while gaining all the heterosis possible



NJW 79Z Z311 Endure 173D ET
 Matern Grand sire of Lot 36



LW 6128 Domino 901G ET
 Sire of Lot 36



• Lot 37 • ECR 238 Fortified 3047

Lot 37 • ECR 238 FORTIFIED 3047

AHA Reg. #44510541 :: DOB: 2/22/23 :: Scurred :: Tattoo 3047

BOYD FT KNOX 17Y XZ5 4040 TH 22R 16S LAMBEAU 17Y
 NJW 84B 4040 FORTIFIED 238F DOSS MY EYES ADORE U DHZ5
 NJW 16S 100W JOEY 84B ET NJW 73S M326 TRUST 100W ET
 TLELL 117F JOEY 16S
 HH ADVANCE 4126B HH ADVANCE 1013Y ET
 ECR 4126 DOMINETTE 1735 HH MISS ADVANCE 1179Y ET
 ECR 628 DOMINETTE 8060 H FHF ADVANCE 628 ET
 ECR 9122 DOMINETTE 1044

| CED | BW | WW | YW | Scrotal | SCF | MILK | ACT BW | ADJ WW |
|-----|-------|------|------|---------|------|------|---------|---------|
| 6.2 | 1.4 | 59 | 91 | 1.5 | 15.2 | 22 | 72 | 762 |
| M&G | UDDER | TEAT | REA | MARB | BMIS | CHBS | LE FIG. | RE FIG. |
| 51 | 1.4 | 1.5 | 0.42 | 0.17 | 331 | 114 | 100 | 100 |

ADJ. SCROTAL 39

- Heifer bull
- Love the pedigree of Fortified out of a 4126 daughter that traces back to a bit more power further down the line



Lot 38 • ECRLW MONTANA 372 ET

AHA Reg. #44519674 :: DOB: 1/14/23 :: Polled :: Tattoo 372

UPS SENSATION 2296 ET CHURCHILL SENSATION 028X
 H MONTGOMERY 7437 ET UPS JT MISS NEON 7811 1ET
 RST GAT NST Y79D LADY 54B ET WORR OWEN TANKERAY Y79D ET
 H H LADY MAXIUM 111 ET
 C MILES MCKEE 2103 ET NIW 98S R17 RIBEYE 88X ET
 CHURCHILL LADY 700E ET C NOTICE ME ET
 TCC MS DIANA 01 CRR ABOUT TIME 743
 TCC MISS SHELBY 82 ET

| CED | BW | WW | YW | Scrotal | SCF | MILK | ACT BW | ADJ WW |
|-----|-------|------|------|---------|------|------|---------|---------|
| 4.4 | 2.4 | 52 | 84 | 0.7 | 23.1 | 38 | 88 | 720 |
| M&G | UDDER | TEAT | REA | MARB | BMIS | CHBS | LE FIG. | RE FIG. |
| 64 | 1.2 | 1.2 | 0.75 | 0.14 | 477 | 138 | 100 | 50 |

ADJ. SCROTAL 40

- Super attractive type of cattle. Extended and clean up through the front 1/3 of his body
- Plenty of rib shape and muscle

Lot 39 • ECR 1103 DOMINO 3228

AHA Reg. #44510548 :: DOB: 3/9/23 :: Horned :: Tattoo 3228

CL 1 DOMINO 7131E 1E HH ADVANCE 5044C ET
 LW 7131 DOMINO 1103J ET CL 1 DOMINETTE 3175A
 LW 3006 MISS ADVANCE 720E ET HH ADVANCE 3006A
 CL 1 DOMINETTE 055X
 BAR JZ SLEEP ON 738C HYALITE ON TARGET 936
 ECR 738 LADY SLEEP ON 8302 BAR JZ VIRGINIA 500Y
 ECR 2109 DOMINETTE 6441 CL 1 DOMINO 2109Z
 DKF 860 DOMINETTE 0397 ET

| CED | BW | WW | YW | Scrotal | SCF | MILK | ACT BW | ADJ WW |
|-----|-------|------|------|---------|------|------|---------|---------|
| 1.9 | 1.3 | 57 | 92 | 1.3 | 16.8 | 35 | 85 | 832 |
| M&G | UDDER | TEAT | REA | MARB | BMIS | CHBS | LE FIG. | RE FIG. |
| 64 | 1.2 | 1.3 | 0.34 | 0.18 | 373 | 128 | 100 | 100 |

ADJ. SCROTAL 38

- Really like this kind of bull, middle framed with added length and power
- 9% above average weaning weight
- Performance from his sire and calving ease from his mother



• Lot 40 • ECR 238 Fortify 3036



• Lot 38 • ECR LW Montana 372 ET



• Lot 39 • ECR 1103 Domino 3228

Lot 40 • ECR 238 FORTIFY 3036

AHA Reg. #44517637 :: DOB: 2/20/23 :: Polled :: Tattoo 3036

BOYD FT KNOX 17Y XZ5 4040 TH 22R 16S LAMBEAU 17Y
 NJW 84B 4040 FORTIFIED 238F DOSS MY EYES ADORE U DHZ5
 NJW 16S 100W JOEY 84B ET NJW 73S M326 TRUST 100W ET
 TLELL 117F JOEY 16S
 TSR WHIT E326 NIW 2249 10W WHIT 12B
 ECR 326 DOMINETTE 1473 ECR FLO 4093
 ECR 9279 DOMINETTE 8517 ET ECR L18 EXTRA DEEP 9279
 ECR 7195 DOMINETTE 9058

| CED | BW | WW | YW | Scrotal | SCF | MILK | ACT BW | ADJ WW |
|-----|-------|------|------|---------|------|------|---------|---------|
| 4.8 | 2.1 | 61 | 91 | 1.4 | 17 | 26 | 74 | 810 |
| M&G | UDDER | TEAT | REA | MARB | BMIS | CHBS | LE FIG. | RE FIG. |
| 57 | 1.2 | 1.3 | 0.52 | 0.04 | 365 | 116 | 90 | 100 |

ADJ. SCROTAL 39

- Heifer Bull
- Picture doesn't do him justice. Must be during that run when I wasn't doing a good enough job of getting ears and got handed the camera...
- One of the most intriguing lower birthweight bulls in terms of phenotype, so extended through his front 1/3. Level and perfect through his hip. Tailhead sets down in his body like it should and able to get out and go with flexibility and ease.



• Lot 41 • ECR 238 Fortified 3041

Lot 41 • ECR 238 FORTIFIED 3041
AHA Reg. #44517644 :: DOB: 2/21/23 :: Polled :: Tattoo 3041

BOYD FT KNOX 17Y XZ5 4040 TH 22R 16S LAMBEAU 17Y
NJW 84B 4040 FORTIFIED 238F DOSS MY EYES ADORE U DHZ5
 NJW 16S 100W JOEY 84B ET NJW 73S M326 TRUST 100W ET
 TLELL 117F JOEY 16S

ECR WF LAMBEAU 8454 WH MR LAMBEAU 30D
ECR 8454 MISS JACKIE 1740 ECR MISS DONNA 6898 ET
 ECR 3304 MISS DIAMOND 7149 UPS UNDISPUTED ET
 ECR 88X MISS RIBLET 4123

| CED | BW | WW | YW | Scrotal | SCF | MILK | ACT BW | ADJ WW |
|-----|-------|------|------|---------|------|------|---------|---------|
| 5.6 | 2.1 | 62 | 96 | 1.6 | 17 | 32 | 80 | 836 |
| M&G | UDDER | TEAT | REA | MARB | BMIS | CHBS | LE FIG. | RE FIG. |
| 63 | 1.2 | 1.3 | 0.31 | 0.15 | 361 | 120 | 90 | 90 |

ADJ. SCROTAL 38

- Low birthweight bull with added performance and true mass
- He is big ribbed, big ended and easy fleshing
- 11% above average weaning weight



• Lot 42 • ECR 721 Domino 3099

Lot 42 • ECR 721 DOMINO 3099
AHA Reg. #44510434 :: DOB: 2/24/23 :: Horned :: Tattoo 3099

CL 1 DOMINO 215Z CL 1 DOMINO 9122W 1ET
F 215Z DOMINO 721 CL 1 DOMINETTE 055X
 F 105Y DOMINETTE 420 CL 1 DOMINO 105Y
 F 5216 DOMINETTE 228

ECR 738 SLEEP ON 8194 BAR JZ SLEEP ON 738C
ECR 8194 DOMINETTE 1141 ECR 10Y GOLDE4N GIRL 6496 ET
 ECR 115B DOMINETTE 8835 DAKITCH 127W HWY 200 115B
 ECR 0340 DOMINETTE 5540

| CED | BW | WW | YW | Scrotal | SCF | MILK | ACT BW | ADJ WW |
|-----|-------|------|------|---------|------|------|---------|---------|
| 3.7 | 1.9 | 58 | 94 | 1.1 | 21.1 | 41 | 80 | 849 |
| M&G | UDDER | TEAT | REA | MARB | BMIS | CHBS | LE FIG. | RE FIG. |
| 70 | 1.2 | 1.4 | 0.32 | 0.25 | 416 | 119 | 100 | 100 |

ADJ. SCROTAL 37

- Heifer bull
- Sired by a calving ease specialist and has calving ease littered through his dam's side
- Daughters will have exceptional teat / udder and sons will command a premium



• Lot 43 • ECR 1103 Redeemer 3105

Lot 43 • ECR 1103 REDEEMER 3105
AHA Reg. #44506177 :: DOB: 2/26/23 :: Scurred :: Tattoo 3105

CL 1 DOMINO 7131E 1ET HH ADVANCE 5044C ET
LW 7131 DOMINO 1103J ET CL 1 DOMINETTE 3175A
 LW 3006 MISS ADVANCE 720E ET HH ADVANCE 3006A
 CL 1 DOMINETTE 055X

KJ HVH 33N REDEEM 485T ET SHF RADAR M326 R125
ECR LADY REDEEM 3124 HVH OKSANA 4L 33N
 RV MS BOOMER 6749 PW VICTOR BOOMER P606
 RV MS PATRIOT 7049

| CED | BW | WW | YW | Scrotal | SCF | MILK | ACT BW | ADJ WW |
|------|-------|------|------|---------|------|------|---------|---------|
| -0.4 | 3.1 | 57 | 93 | 1.1 | 18.8 | 30 | 85 | 783 |
| M&G | UDDER | TEAT | REA | MARB | BMIS | CHBS | LE FIG. | RE FIG. |
| 59 | 1.4 | 1.5 | 0.41 | 0.12 | 399 | 121 | 95 | 70 |

ADJ. SCROTAL 40

- Good converter of feed to gain and has really exploded since weaning
- Solid, fault free type of bull with great growth and performance on paper with a phenotype that is stout and shapey



• Lot 44 • ECR 238 Endure 3124

Lot 44 • ECR 238 ENDURE 3124
AHA Reg. #44510536 :: DOB: 2/25/23 :: Polled :: Tattoo 3124

BOYD FT KNOX 17Y XZ5 4040 TH 22R 16S LAMBEAU 17Y
NJW 84B 4040 FORTIFIED 238F DOSS MY EYES ADORE U DHZ5
 NJW 16S 100W JOEY 84B ET NJW 73S M326 TRUST 100W ET
 TLELL 117F JOEY 16S

NJW 79Z Z311 ENDURE 173D ET KCF BENNETT ENCORE Z311 ET
ECR 173D LADY ENDURE 1579 BW 91H 100W RITA 79Z ET
 4221 ECR 9126J DOMINO 9268 ET
 ECR 8203 DOMINETTE 1012

| CED | BW | WW | YW | Scrotal | SCF | MILK | ACT BW | ADJ WW |
|-----|-------|------|------|---------|------|------|---------|---------|
| 5.2 | 2.9 | 63 | 100 | 1.7 | 17.7 | 26 | 77 | 849 |
| M&G | UDDER | TEAT | REA | MARB | BMIS | CHBS | LE FIG. | RE FIG. |
| 58 | 1.2 | 1.3 | 0.54 | 0.16 | 380 | 130 | 100 | 25 |

ADJ. SCROTAL 38

- Great combination of calving ease and power
- The **ENDURE** really pushes through in this pedigree and adds the growth, extension and true pounds to this lower birthweight pedigree
- Combination of incredible herd bulls on the bottom side with 9126J and 8203 in a polled package



NJW 84B 4040 Fortified 238F
Sire of Lot 44



NJW 79Z Z311 Endure 173D ET
Maternal Grandsire of Lot 44

FECR

Lot 45 • ECR LW MONTANA 389 ET

AHA Reg. #44519677 :: DOB: 1/17/23 :: Horned :: Tattoo 389

UPS SENSATION 2296 ET
H MONTGOMERY 7437 ET
RST GAT NST Y79D LADY 54B ET

CHURCHILL SENSATION 028X
UPS JT MISS NEON 7811 1ET
WORR OWEN TANKERAY Y79D ET
H H LADY MAXIUM 111 ET
NJW 98S R117 RIBEYE 88X ET
C NOTICE ME ET
CRR ABOUT TIME 743
TCC MISS SHELBY 82 ET

C MILES MCKEE 2103 ET
CHURCHILL LADY 700E ET
TCC MS DIANA 01

| CED | BW | WW | YW | Scrotal | SCF | MILK | ACT BW | ADJ WW |
|-----|-------|------|------|---------|------|------|---------|---------|
| 4.4 | 2.4 | 52 | 84 | 0.7 | 23.1 | 38 | 93 | 760 |
| M&G | UDDER | TEAT | REA | MARB | BMIS | CHBS | LE PIG. | RE PIG. |
| 64 | 1.2 | 1.2 | 0.75 | 0.14 | 477 | 138 | 70 | 60 |

ADJ. SCROTAL 41

- Growthy horned bull that will add extension and performance to his calf crop
- Nice set of EPD's with added value in his carcass traits and CHB



• Lot 45 • ECR LW Montana 389 ET



Lot 48 • ECR 238 FORTIFIED 3144

AHA Reg. #44510431 :: DOB: 2/26/23 :: Polled :: Tattoo 3144

BOYD FT KNOX 17Y XZ5 4040
NJW 84B 4040 FORTIFIED 238F
NJW 16S 100W JOEY 84B ET

TH 22R 16S LAMBEAU 17Y
DOSS MY EYES ADORE U DHZ5
NJW 73S M326 TRUST 100W ET
TLELL 117F JOEY 16S

ECR 628 IVYS ADVANCE 8923 ET
ECR 8923 MISS ADVANCE 119
ECR 0271 DOMINETTE 3284

H FHF ADVANCE 628 ET
ECR MISS SENSATION 4406 ET
ECR 4202 DOMINO 0271 ET
ECR 25L LADY WRANGLER 9342

| CED | BW | WW | YW | Scrotal | SCF | MILK | ACT BW | ADJ WW |
|-----|-------|------|------|---------|------|------|---------|---------|
| 0.1 | 3.1 | 60 | 92 | 1.6 | 18.4 | 28 | 84 | 833 |
| M&G | UDDER | TEAT | REA | MARB | BMIS | CHBS | LE PIG. | RE PIG. |
| 58 | 1.2 | 1.3 | 0.46 | 0.06 | 380 | 110 | 100 | 100 |

ADJ. SCROTAL 39

- Fortified out of Sancho daughter screams a big ribbed, easy fleshing animal and that's exactly what we have
- 12% above average weaning weight
- Well balanced set of EPD's

• Lot 49 • ECR 1103 Domino 3278



• Lot 48 • ECR 238 Fortified 3144



• Lot 50 • ECR 238 Endure 3044



Lot 46 • ECR 9156 ADVANCE 3386

AHA Reg. #44512050 :: DOB: 3/27/23 :: Horned :: Tattoo 3386

HH ADVANCE 5107C ET
HH ADVANCE 9156G
HH MISS ADVANCE 4099B

CL 1 DOMINO 215Z
HH MISS ADVANCE 9228W
HH ADVANCE 1013Y ET
HH MISS ADVANCE 1037Y ET

UPS DOMINO 3027
ECR 3027 DOMINETTE 3043
ECR 8203 DOMINETTE 1007

CL 1 DOMINO 9126J 1ET
UPS MISS DIAMOND 1353
HH ADVANCE 8203U ET
IH 129 INSETTE 4127

| CED | BW | WW | YW | Scrotal | SCF | MILK | ACT BW | ADJ WW |
|-----|-------|------|------|---------|------|------|---------|---------|
| 2.9 | 2.8 | 51 | 79 | 0.8 | 20.2 | 30 | 88 | 702 |
| M&G | UDDER | TEAT | REA | MARB | BMIS | CHBS | LE PIG. | RE PIG. |
| 55 | 1.2 | 1.2 | 0.28 | 0.31 | 417 | 133 | 100 | 100 |

ADJ. SCROTAL 39

- His sire, 9156 is a bull that was purchased to keep our herds longevity on track. I saw his mother and she wasn't the biggest most powerful cow at Holden's but in terms all things considered in longevity, 9156 and his mother brought the most to the table for us that day. These cattle are middle framed, big ribbed, sound structured and awesome footed. This bull brings all of this to the table with awesome carcass traits



• Lot 46 • ECR 9156 Advance 3386

Lot 47 • ECR 173 OUTLIER 3284

AHA Reg. #44512169 :: DOB: 3/15/23 :: Polled :: Tattoo 3284

KCF BENNETT ENCORE Z311 ET
NJW 79Z Z311 ENDURE 173D ET
BW 91H 100W RITA 79Z ET

SCHU-LAR ON TARGET 22S
KCF MISS REVOLUTION X338 ET
NJW 73S M326 TRUST 100W ET
REMITALL RITA 91H

RV 9021W OUTLIER 4921
ECR LADY OUTLIER 9269
ECR 8203 DOMINETTE 2078

KCF BENNETT REVOLUTION X51
K&B LADY SENTRY 9021W
HH ADVANCE 8203U ET
IH 9126 DOMINETTE 631

| CED | BW | WW | YW | Scrotal | SCF | MILK | ACT BW | ADJ WW |
|-----|-------|------|------|---------|------|------|---------|---------|
| 5.1 | 4.1 | 70 | 114 | 1.1 | 22.3 | 33 | 87 | 830 |
| M&G | UDDER | TEAT | REA | MARB | BMIS | CHBS | LE PIG. | RE PIG. |
| 68 | 1.2 | 1.2 | 0.99 | 0.28 | 494 | 178 | 100 | 100 |

ADJ. SCROTAL 40

- Oh my! Look at these EPD's and look at this **LONG** bodied herd bull
- Outlier daughters are proving their worth as cows and this bull is a perfect example of this
- Length of body is a trend that will never go out of style and a bull that has this type of figures on paper is hard to deny
- **HUGE** ribeye, marbling, CHB and tremendous growth while having a high calving ease direct
- 12% above average weaning weight ratio
- It's hard to find a bull with numbers that also has real world, in demand, **TRUE** quality when you look at them. Here he is.

Lot 49 • ECR 1103 DOMINO 3278

AHA Reg. #44512226 :: DOB: 3/14/23 :: Horned :: Tattoo 3278

CL 1 DOMINO 7131E 1ET
LW 7131 DOMINO 1103J ET
LW 3006 MISS ADVANCE 720E ET

HH ADVANCE 5044C ET
CL 1 DOMINETTE 3175A
HH ADVANCE 3006A
CL 1 DOMINETTE 055X

F 215Z DOMINO 721
ECR 721 DOMINETTE 9037
ECR 9022 KADY DOM 7459

CL 1 DOMINO 215Z
F 105Y DOMINETTE 420
ECR 4202 DAKOTA LAD 9022
ECR 5216 KADY DOM 0331

| CED | BW | WW | YW | Scrotal | SCF | MILK | ACT BW | ADJ WW |
|------|-------|------|------|---------|------|------|---------|---------|
| -0.5 | 3.1 | 60 | 100 | 1.4 | 19 | 36 | 88 | 769 |
| M&G | UDDER | TEAT | REA | MARB | BMIS | CHBS | LE PIG. | RE PIG. |
| 66 | 1.3 | 1.5 | 0.34 | 0.16 | 397 | 123 | 80 | 60 |

ADJ. SCROTAL 40

- Really like this straight horned bull
- Awesome on paper, EPDs are great, cow family filled with power on his dam's side and calving ease on his sire's side
- Longer bodied bull, heavy without being too big. Long sided, long hipped, and short marked

Lot 50 • ECR 238 ENDURE 3044

AHA Reg. #44517650 :: DOB: 2/21/23 :: Polled :: Tattoo 3044

BOYD FT KNOX 17Y XZ5 4040
NJW 84B 4040 FORTIFIED 238F
NJW 16S 100W JOEY 84B ET

TH 22R 16S LAMBEAU 17Y
DOSS MY EYES ADORE U DHZ5
NJW 73S M326 TRUST 100W ET
TLELL 117F JOEY 16S

ECR WF LAMBEAU 8454
ECR 8454 MISS ENDURE 1451
ECR 173D LADY ENDURE 8054

WH MR LAMBEAU 30D
ECR MISS DONNA 6898 ET
NJW 79Z Z311 ENDURE 173D ET
ECR LADY REDEEM 3136

| CED | BW | WW | YW | Scrotal | SCF | MILK | ACT BW | ADJ WW |
|-----|-------|------|------|---------|------|------|---------|---------|
| 5.2 | 1.7 | 60 | 95 | 1.5 | 20 | 27 | 80 | 827 |
| M&G | UDDER | TEAT | REA | MARB | BMIS | CHBS | LE PIG. | RE PIG. |
| 57 | 1.3 | 1.4 | 0.51 | 0.18 | 412 | 128 | 80 | 100 |

ADJ. SCROTAL 39

- Heifer bull option
- Low birthweight bull with big time growth numbers
- Using Fortified on Endure daughters is combining the best of both worlds, calving ease from Fortified and extra length and mass from Endure



• Lot 51 • ECR 5707 Bucky 3272

Lot 51 • ECR 5707 BUCKY 3272

AHA Reg. #44510553 :: DOB: 3/13/23 :: Polled :: Tattoo 3272

BR NITRO AVENTUS 3116 ET
ECR MISS SENSATION 4356 ET
VH MR BG 1104
HAPP KOOL AID POINTS 1218 ET

BK HESTON 5707H
BK COOL BEANS 5707C

INNISFAIL 4013 11E
INNISFAIL WHR X651/723 4013 ET
INNISFAIL Z84 436B
BAR JZ SLEEP ON 738C
ECR 3371 MISS JACKIE 6519

ECR 3116 ADVENTURE 7647 ET
ECR MISS SENSATION 4356 ET
VH MR BG 1104
HAPP KOOL AID POINTS 1218 ET

ECR 11E JACKIE 0128
ECR 783 JACKIE 8120

| CED | BW | WW | YW | Scrotal | SCF | MILK | ACT BW | ADJ WW |
|-----|-------|------|------|---------|------|------|---------|---------|
| 1.3 | 2.9 | 67 | 105 | 1.0 | 15 | 32 | 87 | 777 |
| M&G | UDDER | TEAT | REA | MARB | BMIS | CHBS | LE PIG. | RE PIG. |
| 66 | 1.2 | 1.3 | 0.48 | 0.18 | 336 | 122 | 100 | 40 |

ADJ. SCROTAL 38

- Middle framed bull with tremendous amount of power and performance
- Just a 2 on BW but jumps to over 100 YW

Lot 52 • ECR 8923 ADVANCE 3387

AHA Reg. #44506149 :: DOB: 3/26/23 :: Horned :: Tattoo 3387

HH ADVANCE 4075B ET
HH 408 RITA 21W
UPS SENSATION 2296 ET
ECR LADY FLOW 212ET

H FHF ADVANCE 628 ET
ECR 628 IVYS ADVANCE 8923 ET
ECR MISS SENSATION 4406 ET

NJW 84B 10W JOURNEY 53D
LJR 023R WHITMORE 10W
NJW 16S 100W JOEY 84B ET
UPS UNDISPUTED ET
CHEZ TR CHERRY BERRY 304A ET

ECR 53D MISS JOURNEY 9015
CHEZ UNDISPUTED 7479

| CED | BW | WW | YW | Scrotal | SCF | MILK | ACT BW | ADJ WW |
|-----|-------|------|------|---------|------|------|---------|---------|
| 0.3 | 2.8 | 61 | 93 | 1.4 | 17.3 | 30 | 89 | 741 |
| M&G | UDDER | TEAT | REA | MARB | BMIS | CHBS | LE PIG. | RE PIG. |
| 60 | 1.0 | 1.0 | 0.66 | 0.04 | 372 | 116 | 60 | 100 |

ADJ. SCROTAL 35

- Didn't want his picture taken but he's a good bull
- Grew quickly and came in off the cow above average weaning weight
- Low birth with added performance



• ECR 628 Ivy's Advance 8923 ET "Sancho" • Sire of Lot 52

Lot 53 • ECR 238 MR DILLON 3087

AHA Reg. #44508336 :: DOB: 2/24/23 :: Scurred :: Tattoo 3087

TH 22R 16S LAMBEAU 17Y
DOSS MY EYES ADORE U DHZ5
NJW 73S M326 TRUST 100W ET
TLELL 117F JOEY 16S

BOYD FT KNOX 17Y XZ5 4040
NJW 84B 4040 FORTIFIED 238F
NJW 16S 100W JOEY 84B ET

ECR 738 SLEEP ON 8194
BAR JZ SLEEP ON 738C
ECR 10Y GOLDE4N GIRL 6496 ET
DKF RO CASH FLOW 0245 ET
RV GOLDEN LADY 5064

ECR 8194 MANDY BLAKE 1607
ECR 0245 MANDY BLAKE 9655 ET

| CED | BW | WW | YW | Scrotal | SCF | MILK | ACT BW | ADJ WW |
|-----|-------|------|------|---------|------|------|---------|---------|
| 6.3 | 1.0 | 57 | 87 | 1.7 | 18.3 | 31 | 75 | 791 |
| M&G | UDDER | TEAT | REA | MARB | BMIS | CHBS | LE PIG. | RE PIG. |
| 60 | 1.2 | 1.3 | 0.42 | 0.13 | 380 | 116 | 100 | 100 |

ADJ. SCROTAL 41

- Heifer bull
- Double bred low birthweight with the "all time to sleep all night" heifer bull, Sleep On is the sire of his mother
- Big scrotal and nice EPD's



• Lot 53 • ECR 237 Mr Dillon 3087



• Lot 54 • ECR 173 Endure 3250

Lot 54 • ECR 173 ENDURE 3250

AHA Reg. #44512242 :: DOB: 3/10/23 :: Polled :: Tattoo 3250

KCF BENNETT ENCORE Z311 ET
SCHU-LAR ON TARGET 22S
KCF MISS REVOLUTION X338 ET

NJW 79Z Z311 ENDURE 173D ET
NJW 73S M326 TRUST 100W ET
REMITALL RITA 91H

NJW 84B 10W JOURNEY 53D
LJR 023R WHITMORE 10W
NJW 16S 100W JOEY 84B ET
CL 1 DOMINO 2109Z
ECR LADY EXCEL 2452

BW 91H 100W RITA 79Z ET

ECR 53D JOEY 8013
ECR 2109 DOMINO 6167

| CED | BW | WW | YW | Scrotal | SCF | MILK | ACT BW | ADJ WW |
|-----|-------|------|------|---------|------|------|---------|---------|
| 4.3 | 2.8 | 64 | 103 | 1.4 | 19.1 | 27 | 89 | 830 |
| M&G | UDDER | TEAT | REA | MARB | BMIS | CHBS | LE PIG. | RE PIG. |
| 59 | 1.1 | 1.2 | 0.78 | 0.13 | 420 | 147 | 100 | 40 |

ADJ. SCROTAL 38

- Endure out of a 53D daughter who is a true feature in this sale
- Added length, added mass and power all with a great set of EPD's
- Great cows behind this bull offering top end predictability that his quality will breed through
- Use this bull to add extension, doability and to add pounds to your calf crop without sacrificing maternal traits





• Lot 55 • ECR 173 Excel Endure 3264

Lot 55 • ECR 173 EXCEL ENDURE 3264

AHA Reg. #44510797 :: DOB: 3/12/23 :: Polled :: Tattoo 3264

KCF BENNETT ENCORE Z311 ET
NJW 79Z Z311 ENDURE 173D ET
 BW 91H 100W RITA 79Z ET

CHURCHILL BRAVO 3275A ET
ECR 3275 MISS EXCEL 8057
 ECR 2029 MISS EXCEL 4315

SCHU-LAR ON TARGET 22S
 KCF MISS REVOLUTION X338 ET
 NJW 73S M326 TRUST 100W ET
 REMITALL RITA 91H

HH ADVANCE 0132X
 CHURCHILL LADY 9123W ET
 HH ADVANCE 2029Z ET
 ECR MISS EXCEL 9328

| CED | BW | WW | YW | Scrotal | SCF | MILK | ACT BW | ADJ WW |
|-----|-------|------|------|---------|------|------|---------|---------|
| 3.9 | 3.7 | 66 | 104 | 1.2 | 18.5 | 26 | 87 | 753 |
| M&G | UDDER | TEAT | REA | MARB | BMIS | CHBS | LE FIG. | RE FIG. |
| 59 | 1.1 | 1.1 | 0.79 | 0.21 | 421 | 157 | 100 | 100 |

ADJ. SCROTAL 39

- **ENDURE** son with power in the blood
- Big spread on paper
- Added performance and mass from his dam's side including Bravo and HH 2029



NJW 79Z Z311 Endure 173D ET
 Sire of Lot 55

Lot 56 • ECR 901 DOMINO 3292

AHA Reg. #44510556 :: DOB: 3/15/23 :: Horned :: Tattoo 3292

CL 1 DOMINO 6128D 1ET
LW 6128 DOMINO 901G ET
 CL 1 DOMINETTE 160Y 1ET

UPS UNDISPUTED ET
ECR 3304 MISS DIAMOND 9447
 ECR 9022 DAKOTA LASS 3266

CL 1 DOMINO 386A 1ET
 CL 1 DOMINETTE 055X
 CL 1 DOMINO 929W
 CL 1 DOMINETTE 606S 1ET

SHF WONDER M326 W18 ET
 UPS MISS DIAMOND 1353
 ECR 4202 DAKOTA LAD 9022
 DKF RO 743 MISS TOBEY 0307 ET

| CED | BW | WW | YW | Scrotal | SCF | MILK | ACT BW | ADJ WW |
|-----|-------|------|------|---------|------|------|---------|---------|
| 5.8 | 2.4 | 53 | 88 | 1.0 | 26.1 | 36 | 85 | 833 |
| M&G | UDDER | TEAT | REA | MARB | BMIS | CHBS | LE FIG. | RE FIG. |
| 63 | 1.3 | 1.3 | 0.52 | 0.32 | 507 | 138 | 60 | 70 |

ADJ. SCROTAL 39

- A 901 son out of an Undisputed daughter that's an all around good kind of a bull
- Best thing about his pedigree is having 9022 in there as he was one of our all time favorite herd bulls, he was built for the long haul with mass and power.



• Lot 56 • ECR 901 Domino 3292

Lot 57 • ECR 1026 DOMINO 3251

AHA Reg. #44510790 :: DOB: 3/11/23 :: Horned :: Tattoo 3251

CL 1 DOMINO 6128D 1ET
LW 6128 DOMINO 1026J ET
 HH MISS ADVANCE 1005Y ET

ECR 2029 ADV DOMINO 5204
ECR 5204 DOMINETTE 0325
 ECR 394 DOMINETTE 7059

CL 1 DOMINO 386A 1ET
 CL 1 DOMINETTE 055X
 HH ADVANCE 4055P
 HH MISS ADVANCE 7142T

HH ADVANCE 2029Z ET
 DKF 860 DOMINETTE 0397 ET
 CL 1 DOMINO 394A
 ECR 8203 DOMINETTE 2078

| CED | BW | WW | YW | Scrotal | SCF | MILK | ACT BW | ADJ WW |
|-----|-------|------|------|---------|------|------|---------|---------|
| 2.1 | 4.0 | 63 | 97 | 0.8 | 18.5 | 35 | 89 | 818 |
| M&G | UDDER | TEAT | REA | MARB | BMIS | CHBS | LE FIG. | RE FIG. |
| 67 | 1.2 | 1.3 | 0.39 | 0.26 | 386 | 121 | 100 | 100 |

ADJ. SCROTAL 38

- Straight horned bull
- His sire, 1026 is going to make a lasting impression around here. He's middle framed, as long as a train and is a bit stouter than the average Line 1 with a bowling balls between his legs
- Added growth and extension in his pedigree with 860 and 8203



• Lot 57 • ECR 1026 Domino 3251

Lot 58 • ECR 1026 OUTLIER 3238

AHA Reg. #44518683 :: DOB: 3/10/23 :: Scurred :: Tattoo 3238

CL 1 DOMINO 6128D 1ET
LW 6128 DOMINO 1026J ET
 HH MISS ADVANCE 1005Y ET

RV 9021W OUTLIER 4921
ECR MISS OUTLIER 6549
 ECR 606 DOMINETTE 9094

CL 1 DOMINO 386A 1ET
 CL 1 DOMINETTE 055X
 HH ADVANCE 4055P
 HH MISS ADVANCE 7142T

KCF BENNETT REVOLUTION X51
 K&B LADY SENTRY 9021W
 IH 9126 DOMINO 606
 IH 2110 DOMINET 7837

| CED | BW | WW | YW | Scrotal | SCF | MILK | ACT BW | ADJ WW |
|-----|-------|------|------|---------|------|------|---------|---------|
| 2.0 | 3.9 | 62 | 98 | 1.0 | 21.3 | 33 | 87 | 749 |
| M&G | UDDER | TEAT | REA | MARB | BMIS | CHBS | LE FIG. | RE FIG. |
| 64 | 1.35 | 1.4 | 0.51 | 0.31 | 441 | 140 | 30 | 100 |

ADJ. SCROTAL 38

- Good, longer bodied bull with an awesome twist to his pedigree
- Combines 1026, Outlier and 9126j
- Big scrotal bull with an awesome set of EPD's including high growth, excellent teat / udder and above average carcass numbers



• Lot 58 • ECR 1026 Outlier 3238



• Lot 59 • ECR 238 Lonnie 3090

Lot 59 • ECR 238 LONNIE 3090

AHA Reg. #44518788 :: DOB: 2/24/23 :: Scurred :: Tattoo 3090

BOYD FT KNOX 17Y XZ5 4040
NJW 84B 4040 FORTIFIED 238F
 NJW 16S 100W JOEY 84B ET

TH 22R 16S LAMBEAU 17Y
 DOSS MY EYES ADORE U DHZ5
 NJW 73S M326 TRUST 100W ET
 TLELL 117F JOEY 16S

ECR WF LAMBEAU 8454
ECR 8454 LANA 1379
 ECR 53D LADY REDEEM 8106

WH MR LAMBEAU 30D
 ECR MISS DONNA 6898 ET
 NJW 84B 10W JOURNEY 53D
 ECR Z311 LADY REDEEM 6092

| CED | BW | WW | YW | Scrotal | SCF | MILK | ACT BW | ADJ WW |
|-----|-------|------|------|---------|------|------|---------|---------|
| 4.6 | 1.8 | 64 | 97 | 1.6 | 16 | 26 | 72 | 761 |
| M&G | UDDER | TEAT | REA | MARB | BMIS | CHBS | LE PIG. | RE PIG. |
| 58 | 1.3 | 1.35 | 0.36 | 0.16 | 341 | 112 | 100 | 100 |

ADJ. SCROTAL 40

- Heifer bull buyers look in
- Just a 72 BW with some big time performance figures
- 53D back in there to put a little more calving ease in his DNA
- Longer bodied Fortified son that's a good converter with ample amount of body and muscle

live broadcast and online bidding

The Livestock Link

Livestock Videoing • Video Sales
 Bid-by-Click Online Sales
 To view events go to
www.TheLivestockLink.com



Lot 60 • ECR 238 FORTIFIED 3094

AHA Reg. #44510543 :: DOB: 2/24/23 :: Scurred :: Tattoo 3094

BOYD FT KNOX 17Y XZ5 4040
NJW 84B 4040 FORTIFIED 238F
 NJW 16S 100W JOEY 84B ET

TH 22R 16S LAMBEAU 17Y
 DOSS MY EYES ADORE U DHZ5
 NJW 73S M326 TRUST 100W ET
 TLELL 117F JOEY 16S

HH ADVANCE 9156G
ECR 9156 MISS ADVANCE 1383
 ECR 3275 DOMINETTE 8525

HH ADVANCE 5107C ET
 HH MISS ADVANCE 4099B
 CHURCHILL BRAVO 3275A ET
 ECR 3027 DOMINETTE 4023

| CED | BW | WW | YW | Scrotal | SCF | MILK | ACT BW | ADJ WW |
|-----|-------|------|------|---------|------|------|---------|---------|
| 2.7 | 2.5 | 58 | 87 | 1.4 | 16.4 | 27 | 80 | 818 |
| M&G | UDDER | TEAT | REA | MARB | BMIS | CHBS | LE PIG. | RE PIG. |
| 56 | 1.2 | 1.3 | 0.33 | 0.20 | 351 | 119 | 100 | 100 |

ADJ. SCROTAL 41

- 8% above average weaning weight
- Calving ease option tracing back to 9156 and the immortal 3027
- Full pigment and big scrotal

Lot 61 • ECR 721 DOMINO 3022

AHA Reg. #44520410 :: DOB: 2/19/23 :: Horned :: Tattoo 3022

CL 1 DOMINO 215Z
F 215Z DOMINO 721
 F 105Y DOMINETTE 420

CL 1 DOMINO 9122W 1ET
 CL 1 DOMINETTE 055X
 CL 1 DOMINO 105Y
 F 5216 DOMINETTE 228

HFR JCG AUGUSTUS 286W 1818 ET
ECR MISS MAGGIE 0824 ET
 ECR SERENITY 5580C 1ET

CRR 719 CATAPULT 109
 STAR KKH SSF MIRROR IMAGE 286W
 DKF RO CASH FLOW 0245 ET
 RV GOLDEN LADY 5064

| CED | BW | WW | YW | Scrotal | SCF | MILK | ACT BW | ADJ WW |
|-----|-------|------|------|---------|------|------|---------|---------|
| 1.6 | 2.5 | 57 | 93 | 1.1 | 17.1 | 36 | 84 | 766 |
| M&G | UDDER | TEAT | REA | MARB | BMIS | CHBS | LE PIG. | RE PIG. |
| 64 | 1.2 | 1.2 | 0.36 | 0.14 | 357 | 433 | 90 | 100 |

ADJ. SCROTAL 39

- 2.5 to 93 with a well balanced set EPD's
- Added power and mass coming from his dam's side
- Fleshing ability, great hair coat and conservatively marked

• Lot 62 • ECR 0410 Domino 3325



• Lot 60 • ECR 238 Fortified 3094



• Lot 61 • ECR 721 Domino 3022

Lot 62 • ECR 0410 DOMINO 3325

AHA Reg. #4400861 :: DOB: 3/17/23 :: Polled :: Tattoo 3325

ECR 2109 DOMINO 6223
UPS 6223 DOMINO 0410
 UPS MISS HOMETOWN 610 ET

CL 1 DOMINO 2109Z
 ECR 8050 DOMINETTE 2177
 NJW 73S W18 HOMETOWN 10Y
 UPS MISS DIAMOND 1353

ECR 2029 ADV DOMINO 5204
ECR 5204 DOMINETTE 0424
 ECR 2109 DOMINETTE 6158

HH ADVANCE 2029Z ET
 DKF 860 DOMINETTE 0397 ET
 CL 1 DOMINO 2109Z
 RV MS BOOMER 6749

| CED | BW | WW | YW | Scrotal | SCF | MILK | ACT BW | ADJ WW |
|------|-------|------|------|---------|------|------|---------|---------|
| -3.5 | 5.5 | 63 | 95 | 1.2 | 19.0 | 29 | 89 | 870 |
| M&G | UDDER | TEAT | REA | MARB | BMIS | CHBS | LE PIG. | RE PIG. |
| 61 | 1.0 | 1.1 | 0.46 | 0.13 | 392 | 114 | 100 | 100 |

ADJ. SCROTAL 38

- 16% above average weaning weight
- Big, stout, burly bull that's built just how we like them
- Long sided, big ribbed and a bull that will truly put pounds on a calf crop
- Take him to Herefords or black cows and you will be happy either way

Lot 63 • ECR 5707 HESTON 3227

AHA Reg. #45510745 :: DOB: 3/8/23 :: Polled :: Tattoo 3227

ECR 3116 ADVENTURE 7647 ET BR NITRO AVENTUS 3116 ET
BK HESTON 5707H ECR MISS SENSATION 4356 ET
 BK COOL BEANS 5707C VH MR BG 1104
 HAPP KOOL AID POINTS 1218 ET
 NJW 84B 4040 FORTIFIED 238F BOYD FT KNOX 17Y XZ5 4040
ECR 238 LADY FORTIFY 0004 NJW 16S 100W JOEY 84B ET
 ECR 394 DOMINETTE 8305 CL 1 DOMINO 394A
 ECR 860 SASSY 4091

| CED | BW | WW | YW | Scrotal | SCF | MILK | ACT BW | ADJ WW |
|-----|-------|------|------|---------|------|------|---------|---------|
| 6.3 | 0.5 | 55 | 89 | 0.8 | 18.0 | 30 | 74 | 683 |
| M&G | UDDER | TEAT | REA | MARB | BMIS | CHBS | LE FIG. | RE FIG. |
| 57 | 1.2 | 1.4 | 0.48 | 0.12 | 370 | 114 | 90 | 50 |

ADJ. SCROTAL 39

- Heifer bull
- Middle framed and built like a tank
- Pedigree is stacked full of calving ease tracing back to some prolific cows



• Lot 63 • ECR 5707 Heston 3227

Lot 66 • ECR 1103 DOMINO 3168

AHA Reg. #44511856 :: DOB: 3/1/23 :: Horned :: Tattoo 3168

CL 1 DOMINO 7131E 1ET HH ADVANCE 5044C ET
LW 7131 DOMINO 1103J ET CL 1 DOMINETTE 3175A
 LW 3006 MISS ADVANCE 720E ET HH ADVANCE 3006A
 CL 1 DOMINETTE 055X
 HH ADVANCE 8050U ET L1 DOMINO 03571
ECR LADY EXCEL 3275 ET HH MISS ADVANCE 365N
 ECR L18 GEN LADY 6131 GO EXCEL L18
 ECR LADY GE 131

| CED | BW | WW | YW | Scrotal | SCF | MILK | ACT BW | ADJ WW |
|-----|-------|------|------|---------|------|------|---------|---------|
| 2.7 | 2.7 | 59 | 91 | 1.1 | 21.2 | 28 | 86 | 791 |
| M&G | UDDER | TEAT | REA | MARB | BMIS | CHBS | LE FIG. | RE FIG. |
| 58 | 1.3 | 1.3 | 0.39 | 0.11 | 432 | 125 | 100 | 40 |

ADJ. SCROTAL 39

- 1103 sired and tracing back to the great 131 donor
- Baldy maker, replacement maker
- Long bodied, clean made and short marked



• Lot 66 • ECR 1103 Domino 3168



• Lot 64 • ECR 238 Fortified 3155

Lot 64 • ECR 238 FORTIFIED 3155

AHA Reg. #44512051 :: DOB: 2/28/23 :: Polled :: Tattoo 3155

BOYD FT KNOX 17Y XZ5 4040 TH 22R 16S LAMBEAU 17Y
NJW 84B 4040 FORTIFIED 238F DOSS MY EYES ADORE U DHZ5
 NJW 16S 100W JOEY 84B ET NJW 73S M326 TRUST 100W ET
 TLELL 117F JOEY 16S
 HH ADVANCE 2029Z ET HH ADVANCE 8203U ET
ECR 2029 MISS ADVANCE 7028 HH MISS ADVANCE 5139R ET
 ECR 9075 CHRISTI 3298 ET HH ADVANCE 9075W ET
 OXH CHRISTI 0028

| CED | BW | WW | YW | Scrotal | SCF | MILK | ACT BW | ADJ WW |
|-----|-------|------|------|---------|------|------|---------|---------|
| 4.3 | 2.2 | 60 | 89 | 1.5 | 17.1 | 26 | 88 | 815 |
| M&G | UDDER | TEAT | REA | MARB | BMIS | CHBS | LE FIG. | RE FIG. |
| 56 | 1.2 | 1.3 | 0.41 | 0.09 | 362 | 112 | 10 | 0 |

ADJ. SCROTAL 43

- 8% above average weaning weight
- Lower birthweight bull tracing back to Bob's mom
- Big scrotal (Troy looked up and said "can't be right" and measured them again)



• Lot 65 • ECR 1103 Domino 3197

Lot 65 • ECR 1103 DOMINO 3197

AHA Reg. #44511850 :: DOB: 3/3/23 :: Horned :: Tattoo 3197

CL 1 DOMINO 7131E 1ET HH ADVANCE 5044C ET
LW 7131 DOMINO 1103J ET CL 1 DOMINETTE 3175A
 LW 3006 MISS ADVANCE 720E ET HH ADVANCE 3006A
 CL 1 DOMINETTE 055X
 HH ADVANCE 5002C HH ADVANCE 3006A
ECR 5002 LADY REWARDS 8223 HH MISS ADVANCE 3124A
 ECR 3371 LADY REWARDS 6413 ECR REWARD 3371 ET
 ECR 9126 DOMINETTE 9246 ET

| CED | BW | WW | YW | Scrotal | SCF | MILK | ACT BW | ADJ WW |
|-----|-------|------|------|---------|------|------|---------|---------|
| 0.7 | 2.3 | 58 | 97 | 1.5 | 15.4 | 32 | 89 | 717 |
| M&G | UDDER | TEAT | REA | MARB | BMIS | CHBS | LE FIG. | RE FIG. |
| 61 | 1.3 | 1.3 | 0.29 | 0.16 | 352 | 128 | 100 | 100 |

ADJ. SCROTAL 38

- Pedigree full of prominent momma cows and sires throughout
- Longer bodied bull that's trim in his design
- His sire 1103 has a bright future here at the ranch

WHOA.

MORE POUNDS. MORE CALVES. MORE PROFIT.

Herefords are known as the efficiency experts for a reason. Herefords boost pregnancy rates by 7% and add \$30 per head in feedyard profitability in a crossbreeding system. And Hereford genetics bring unrivaled hybrid vigor, longevity and disposition.

COME HOME TO HEREFORD.

Hereford.org | 816-842-3757



• Lot 67 • ECR 1103 Bobby 3194



• Lot 68 • ECR 173 Endure 3260

Lot 67 • ECR 1103 BOBBY 3194

AHA Reg. #44506191 :: DOB: 3/3/23 :: Horned :: Tattoo 3194

CL 1 DOMINO 7131E 1ET
LW 7131 DOMINO 1103J ET
 LW 3006 MISS ADVANCE 720E ET

ECR L18 EXTRA DEEP 9279
ECR 9279 BOBBY 3038
 ECR 8050 DOMINETTE 1059

HH ADVANCE 5044C ET
 CL 1 DOMINETTE 3175A
 HH ADVANCE 3006A
 CL 1 DOMINETTE 055X

GO EXCEL L18
 OXH CHRISTI 0028
 HH ADVANCE 8050U ET
 EIJ MISS DAISY 8306

| CED | BW | WW | YW | Scrotal | SCF | MILK | ACT BW | ADJ WW |
|-----|-------|------|------|---------|------|------|---------|---------|
| 5.1 | 2.1 | 59 | 92 | 1.1 | 20.1 | 32 | 82 | 823 |
| M&G | UDDER | TEAT | REA | MARB | BMIS | CHBS | LE FIG. | RE FIG. |
| 62 | 1.5 | 1.5 | 0.56 | 0.12 | 429 | 135 | 95 | 100 |

ADJ. SCROTAL 40

- 10% above average weaning weight
- Sired by 1103 who was the high selling bull from L Bar W
- Calving ease direct is high, BW is low, great growth numbers, big rebeye and will sire daughters with excellent teat / udder
- The big, scrappy, herd bull kind



LW 7131 Domino 1103J
 Sire of Lot 67

Lot 68 • ECR 173 ENDURE 3260

AHA Reg. #44512144 :: DOB: 3/11/23 :: Polled :: Tattoo 3260

KCF BENNETT ENCORE Z311 ET
NJW 79Z Z311 ENDURE 173D ET
 BW 91H 100W RITA 79Z ET

NJW 84B 10W JOURNEY 53D
ECR 53D MISS JOURNEY 9031
 ECR OTL DOMINETTE 7635

SCHU-LAR ON TARGET 22S
 KCF MISS REVOLUTION X338 ET
 NJW 73S M326 TRUST 100W ET
 REMITALL RITA 91H

LJR 023R WHITMORE 10W
 NJW 16S 100W JOEY 84B ET
 RV 9021W OUTLIER 4921
 ECR 5216 DOMINETTE 1192

| CED | BW | WW | YW | Scrotal | SCF | MILK | ACT BW | ADJ WW |
|-----|-------|------|------|---------|------|------|---------|---------|
| 5.0 | 3.3 | 68 | 110 | 1.5 | 23.3 | 28 | 89 | 808 |
| M&G | UDDER | TEAT | REA | MARB | BMIS | CHBS | LE FIG. | RE FIG. |
| 62 | 1.1 | 1.2 | 0.88 | 0.16 | 490 | 155 | 100 | 100 |

ADJ. SCROTAL 40

- Endure out of a 53D daughter going back to Outlier
- Power, calving ease and carcass all wrapped into one package
- 5% above average weaning weight
- Herd bull phenotype and herd bull EPD's

Check our website and social media
 after February 1st for videos of all the sale cattle





• Lot 70 • ECR 173 Endure 3205



Lot 70 • ECR 173 ENDURE 3205

AHA Reg. #44511861 :: DOB: 3/5/23 :: Polled :: Tattoo 3205

KCF BENNETT ENCORE Z311 ET SCHU-LAR ON TARGET 22S
 NJW 79Z Z311 ENDURE 173D ET KCF MISS REVOLUTION X338 ET
 BW 91H 100W RITA 79Z ET NJW 73S M326 TRUST 100W ET
 REMITALL RITA 91H
 TH 60W 719T VICTOR 43Y TH 122 71I VICTOR 719T
 TH 77S 45P RUBY 60W
 FELTONS LEGEND 242
 ECR 557 MISS HUNNY 5149 12ET

| CED | BW | WW | YW | Scrotal | SCF | MILK | ACT BW | ADJ WW |
|-----|-------|------|-----|---------|------|------|---------|---------|
| 8.5 | 1.8 | 62 | 100 | 0.9 | 19.8 | 25 | 74 | 815 |
| M&G | UDDER | TEAT | REA | MARB | BMIS | CHBS | LE PIG. | RE PIG. |
| 56 | 1.2 | 1.2 | 0.8 | 0.17 | 434 | 153 | 50 | 100 |

ADJ. SCROTAL 40

- Stretchy Endure son
- Added weight from his length yet started light and has one of the best calving ease direct EPD's of the whole offering, low BW EPD yet still gets to high growth numbers, big ribeye and CHB
- The bottom side of this pedigree is pure calving ease



• Lot 69 • ECR 721 Endure 3071

Lot 69 • ECR 721 ENDURE 3071

AHA Reg. #44500293 :: DOB: 2/22/23 :: Scurred :: Tattoo 3071

CL 1 DOMINO 215Z CL 1 DOMINO 9122W 1ET
 F 215Z DOMINO 721 CL 1 DOMINETTE 055X
 F 105Y DOMINETTE 420 CL 1 DOMINO 105Y
 F 5216 DOMINETTE 228
 NJW 79Z Z311 ENDURE 173D ET KCF BENNETT ENCORE Z311 ET
 ECR 173D LADY ENDURE 1157 BW 91H 100W RITA 79Z ET
 ECR 2109 DOMINETTE 6256 CL 1 DOMINO 2109Z
 DKF 7195 SASSY 0016

| CED | BW | WW | YW | Scrotal | SCF | MILK | ACT BW | ADJ WW |
|-----|-------|------|-----|---------|------|------|---------|---------|
| 6.4 | 1.1 | 56 | 92 | 1.1 | 23 | 34 | 74 | 815 |
| M&G | UDDER | TEAT | REA | MARB | BMIS | CHBS | LE PIG. | RE PIG. |
| 62 | 1.2 | 1.2 | 0.5 | 0.29 | 458 | 135 | 100 | 100 |

ADJ. SCROTAL 37

- Heifer bull
- Lower BW with tremendous growth and a huge ribeye
- Sired by the calving ease specialist 721 out of Endure daughter back to 7195 tracing way back to my first registered show heifer "Sassy" from the early 90's
- Get in here on a bull that has a long pedigree of good cattle

Lot 74 • ECR FINAL ANSWER 305

AHA Reg. #pending :: DOB: 2/20/23 :: Tattoo 305

SITZ TRAVELER 8180 GDAR TRAVELER 71
 SAV FINAL ANSWER 0035 SITZ EVERELDA ENTENSE 1137
 SAV EMULOUS 8145 BON VIEW BANDO 598
 SAV SKY EMULOUS 2124
 EXAR BLUE CHIP 1877B DAMERON FIRST CLASS
 LAGRAND PEG 6753 GREENS PRINCESS 1012
 LAGRAND PEG 6753 LAGRAND SUN DANCE
 TC PEG 9100

| CED | BW | WW | YW | MILK | SW | SF | ACT BW | ADJ WW |
|-----|-----|------|------|-------|----|-----|--------|--------|
| 4.0 | 2.5 | 54 | 94 | 24 | 55 | 100 | 80 | 710 |
| SG | SB | MARB | REA | FAT | | | | |
| 33 | 138 | 0.30 | 0.60 | -0.01 | | | | |

ADJ. SCROTAL 38

- Two full brothers sired by Final Answer out of the old 6753 donor. She was one of the most impressive cows around. These two bulls aren't the stoutest featured but they do offer a longer growth curve with frame and extension



• Lot 74 • ECR Final Answer 305

Lot 75 • ECR FINAL ANSWER 306

AHA Reg. #pending :: DOB: 2/25/23 :: Tattoo 306

SITZ TRAVELER 8180 GDAR TRAVELER 71
 SAV FINAL ANSWER 0035 SITZ EVERELDA ENTENSE 1137
 SAV EMULOUS 8145 BON VIEW BANDO 598
 SAV SKY EMULOUS 2124
 EXAR BLUE CHIP 1877B DAMERON FIRST CLASS
 LAGRAND PEG 6753 GREENS PRINCESS 1012
 LAGRAND PEG 6753 LAGRAND SUN DANCE
 TC PEG 9100

| ACT BW | ADJ WW |
|--------|--------|
| 85 | 705 |

ADJ. SCROTAL 39

- Two full brothers sired by Final Answer out of the old 6753 donor. She was one of the most impressive cows around. These two bulls aren't the stoutest featured but they do offer a longer growth curve with frame and extension



• SAV Final Answer 0035 • Sire of Lots 74 & 75

Lot 76 • ECR RAINMAKER 303

AHA Reg. #pending :: DOB: 2/16/23 :: Tattoo 303

BASIN RAINMAKER 2704 BASIN RAINMAKER P175
 BASIN RAINMAKER 4404 BASIN ERICA 7520 BV
 BASIN JOY 1036 BASIN PAYWEIGHT 107S
 BASIN JOY 566T

| ACT BW | ADJ WW |
|--------|--------|
| 70 | 695 |

ADJ. SCROTAL 38

- Sired by Rainmaker this bull is a sure fire calving ease bull out of a first calf heifer
- Just a 70 pound BW



• Lot 76 • ECR Rainmaker 303



• Lot 77 • ECR 0025 Advance 2393



• Lot 79 • ECR 173 Endure 2507



• Lot 78 • ECR 9428 Domino 2652

Lot 77 • ECR 0025 ADVANCE 2393

AHA Reg. #44398685 :: DOB: 4/2/22 :: Horned :: Tattoo 2393

CL 1 DOMINO 883F 1ET
HH ADVANCE 0025H ET
 HH MISS ADVANCE 1010Y ET

ECR L18 EXTRA DEEP 9279
ECR CHRISTI 3118
 ECR 7195 DOMINETTE 0275 ET

CL 1 DOMINO 6128D 1ET
 CL1 DOMINETTE 450B
 HH ADVANCE 9144W
 HH MISS ADVANCE 6033S ET

GO EXCEL L18
 OXH CHRISTI 0028
 HH ADVANCE 7195T
 IH 270 MARKIE 2233

| CED | BW | WW | YW | Scrotal | SCF | MILK | ACT BW | ADJ WW |
|-----|-------|------|------|---------|------|------|---------|---------|
| 5.6 | 1.6 | 52 | 80 | 0.9 | 21.1 | 38 | 80 | 707 |
| M&G | UDDER | TEAT | REA | MARB | BMIS | CHBS | LE FIG. | RE FIG. |
| 64 | 1.3 | 1.2 | 0.56 | 0.33 | 442 | 145 | 100 | 100 |

ADJ. SCROTAL 43

- Straight horned pedigree
- Low birthweight bull with ample growth and performance
- Above average weaning weight
- Impeccable pedigree with Holden high seller on the top side blending the calving ease of Extra Deep and 7195 on the bottom



HH Advance 0025H ET
 Sire of Lot 77

Lot 78 • ECR 9428 DOMINO 2652

AHA Reg. #44400449 :: DOB: 4/22/22 :: HORNED :: Tattoo 2652

H FHF ADVANCE 628 ET
ECR 628 ADVANCE 9428 ET
 ECR CANDI 5451 ET

HH ADVANCE 4075B ET
 FHF 408 RITA 21W
 UPS SENSATION 2296 ET
 ECR LADY FLOW 212ET

ECR 2029 ADV DOMINO 5204
ECR 5204 DOMINETTE 8395
 ECR 0133 MISS ADVANCE 6652

HH ADVANCE 2029Z ET
 DKF 860 DOMINETTE 0397 ET
 K&B ADVANCER 0133X ET
 KB L1 DOMINETTE 196Y

| CED | BW | WW | YW | Scrotal | SCF | MILK | ACT BW | ADJ WW |
|-----|-------|------|------|---------|------|------|---------|---------|
| 0.2 | 3.8 | 59 | 93 | 1.0 | 12.7 | 27 | 85 | 754 |
| M&G | UDDER | TEAT | REA | MARB | BMIS | CHBS | LE FIG. | RE FIG. |
| 57 | 1.0 | 1.0 | 0.66 | 0.03 | 311 | 121 | 90 | 100 |

ADJ. SCROTAL 41

- Short marked
- Power in pedigree on both sides
- Big weaning weight bull, 8% above average

Lot 79 • ECR 173 ENDURE 2507

AHA Reg. #44399185 :: DOB: 4/11/22 :: Polled :: Tattoo 2507

KCF BENNETT ENCORE Z311 ET
NJW 79Z Z311 ENDURE 173D ET
 BW 91H 100W RITA 79Z ET

ECR WYARNO 3369 ET
ECR WYE DOMINETTE 5474
 ECR L18 DOMINETTE 0223 ET

SCHU-LAR ON TARGET 22S
 KCF MISS REVOLUTION X338 ET
 NJW 73S M326 TRUST 100W ET
 REMITALL RITA 91H

H WCC/WB 668 WYARNO 9500 ET
 ECR L18 GEN LADY 6131
 GO EXCEL L18
 ECR LADY GE 131

| CED | BW | WW | YW | Scrotal | SCF | MILK | ACT BW | ADJ WW |
|-----|-------|------|------|---------|------|------|---------|---------|
| 6.3 | 3.8 | 64 | 104 | 1.1 | 20.1 | 26 | 88 | 704 |
| M&G | UDDER | TEAT | REA | MARB | BMIS | CHBS | LE FIG. | RE FIG. |
| 58 | 1.2 | 1.2 | 0.83 | 0.19 | 446 | 164 | 100 | 100 |

ADJ. SCROTAL 42

- Longer bodied bull
- Big time EPD spread with huge carcass numbers and CHB
- ENDURE



• Lot 80 • ECR 0136 Domino 2539

Lot 80 • ECR 0136 DOMINO 2539

AHA Reg. #44399502 :: DOB: 4/14/22 :: Horned :: Tattoo 2539

HH ADVANCE 7156E ET
CL 1 DOMINO 0136H
 CL 1 DOMINETTE 6113D 1ET

K&B ADVANCER 0133X ET
ECR 0133 DOMINETTE 6128
 ECR 842 DOMINETTE 3427

HH ADVANCE 3297A ET
 HH MISS ADVANCE 1056Y ET
 CL1 DOMINO 412B
 CL 1 DOMINETTE 2134Z 1ET

HH ADVANCE 8141U
 K&B MISS EXCEL 4216
 KB L1 DOMINO 842U
 DKF 860 DOMINETTE 0410 ET

| CED | BW | WW | YW | Scrotal | SCF | MILK | ACT BW | ADJ WW |
|-----|-------|------|------|---------|------|------|---------|---------|
| 5.3 | 3.2 | 61 | 98 | 0.8 | 13 | 28 | 88 | 727 |
| M&G | UDDER | TEAT | REA | MARB | BMIS | CHBS | LE PIG. | RE PIG. |
| 59 | 1.1 | 1.2 | 0.42 | 0.27 | 315 | 139 | 30 | 25 |

ADJ. SCROTAL 41

- Straight horned
- Sired by the incredible Cooper bull who offers carcass, growth and maternal
- Easy doing, easy fleshing bull that offers added weaning weight above average



CL 1 Domino 0136H
 Sire of Lot 80

Lot 81 • ECR 97F TURBO 2428

AHA Reg. #44399601 :: DOB: 4/4/22 :: Polled :: Tattoo 2428

NJW 135U 10Y HOMETOWN 73C ET
JDH AH 34X HOMETOWN 97F ET
 AH JDH MS 25L WRANGLER 34X ET

ECR 2296 FLO SENSATION 4387 ET
ECR 4387 LADY TURBO 7092
 ECR LADY TURBO 4127

NJW 73S W18 HOMETOWN 10Y ET
 NJW 4037 34S DURANGO VACA 135U
 JDH 15 WRANGLER 25L
 AH QUEEN BELLE 14R

UPS SENSATION 2296 ET
 ECR LADY FLOW 212ET
 DHD TURBO HH 1103
 ECR MISS LASS 2236

| CED | BW | WW | YW | Scrotal | SCF | MILK | ACT BW | ADJ WW |
|-----|-------|------|------|---------|------|------|---------|---------|
| 1.5 | 4.1 | 66 | 100 | 1.4 | 17.5 | 30 | 91 | 743 |
| M&G | UDDER | TEAT | REA | MARB | BMIS | CHBS | LE PIG. | RE PIG. |
| 63 | 1.2 | 1.2 | 0.41 | 0.26 | 375 | 127 | 100 | 60 |

ADJ. SCROTAL 43

- Long bodied bull with a lot of power in his pedigree
- Expect him to sire cattle with added performance
- 7% above average weaning weight



• Lot 81 • ECR 97F Turbo 2428



• Lot 83 • ECR 0025 Advance 2128 ET

Lot 82 • ECR 9156 ADVANCE 2440

AHA Reg. #44399911 :: DOB: 4/4/22 :: Horned :: Tattoo 2440

HH ADVANCE 5107C ET
HH ADVANCE 9156G
 HH MISS ADVANCE 4099B

CL 1 DOMINO 215Z
 HH MISS ADVANCE 9228W
 HH ADVANCE 1013Y ET
 HH MISS ADVANCE 1037Y ET

CL 1 DOMINO 3141A 1ET
ECR 3141 DOMINETTE 7714
 ECR 860 DOMINETTE 1032

L1 DOMINO 08542
 CL 1 DOMINETTE 440P 1ET
 CL 1 DOMINO 860U
 ECR 4126 DOMINETTE 8048

| CED | BW | WW | YW | Scrotal | SCF | MILK | ACT BW | ADJ WW |
|-----|-------|------|------|---------|------|------|---------|---------|
| 1.9 | 2.6 | 50 | 79 | 0.8 | 13.1 | 28 | 88 | 671 |
| M&G | UDDER | TEAT | REA | MARB | BMIS | CHBS | LE PIG. | RE PIG. |
| 53 | 1.0 | 1.1 | 0.22 | 0.25 | 304 | 121 | 100 | 100 |

ADJ. SCROTAL 40

- Straight horned
- His sire selected for his fleshing ability, impeccable feet and structure
- Good kind of cattle that grow quickly to weaning and make moderate mommas



• Lot 82 • ECR 9156 Advance 2440

Lot 83 • ECR 0025 ADVANCE 2128 ET

AHA Reg. #44398631 :: DOB: 2/26/22 :: Horned :: Tattoo 2128

CL 1 DOMINO 883F 1ET
HH ADVANCE 0025H ET
 HH MISS ADVANCE 1010Y ET

UPS DOMINO 3027
ECR 3027 MISS DAKOTA 3044
 ECR MISS DAKOTA 1214

CL 1 DOMINO 6128D 1ET
 CL1 DOMINETTE 450B
 HH ADVANCE 9144W
 HH MISS ADVANCE 6033S ET

CL 1 DOMINO 9126J 1ET
 UPS MISS DIAMOND 1353
 ECR 4202 DAKOTA LAD 9022
 IH 129 INSETTE 4140

| CED | BW | WW | YW | Scrotal | SCF | MILK | ACT BW | ADJ WW |
|-----|-------|------|------|---------|------|------|---------|---------|
| 4.4 | 2.8 | 53 | 91 | 0.9 | 21.4 | 38 | 88 | 809 |
| M&G | UDDER | TEAT | REA | MARB | BMIS | CHBS | LE PIG. | RE PIG. |
| 64 | 1.4 | 1.4 | 0.44 | 0.35 | 445 | 147 | 90 | 100 |

ADJ. SCROTAL 39

- Straight horned
- Big weaning weight bull
- Mother has impeccable teat and udder
- Great spread on EPD's from BW to YW
- Huge carcass numbers including CHB



• Lot 85 • ECR 173 Endure 2668



• Lot 84 • ECR 238 Fortified 2433



• NJW 84B Fortified 238F • Sire of Lot 84

Lot 84 • ECR 238 FORTIFIED 2433

AHA Reg. #44400463 :: DOB: 4/5/22 :: Polled :: Tattoo 2433

BOYD FT KNOX 17Y XZ5 4040
NJW 84B 4040 FORTIFIED 238F
 NJW 16S 100W JOEY 84B ET

AXA GOLDEN-OAK XCEED ET
ECR 704X MISS LEGEND 6267
 ECR MISS LEGEND 2385

TH 22R 16S LAMBEAU 17Y
 DOSS MY EYES ADORE U DHZ5
 NJW 73S M326 TRUST 100W ET
 TLELL 117F JOEY 16S

SHF RIB EYE M326 R17
 NCX MISS JR NELLIE 528N
 FELTONS LEGEND 242
 ECR 557 MISS HUNNY 5149 12ET

| CED | BW | WW | YW | Scrotal | SCF | MILK | ACT BW | ADJ WW |
|-----|-------|------|------|---------|------|------|---------|---------|
| 4.4 | 2.0 | 55 | 85 | 1.6 | 19.1 | 27 | 85 | 710 |
| M&G | UDDER | TEAT | REA | MARB | BMIS | CHBS | LE FIG. | RE FIG. |
| 55 | 1.2 | 1.2 | 0.41 | 0.13 | 386 | 109 | 100 | 100 |

ADI. SCROTAL 41

- Outcross Canadian pedigree on the bottom
- 2% above average weaning weight with 3% below average birthweight
- Great calving ease direct number indicating above average calving ease

Lot 85 • ECR 173 ENDURE 2668

AHA Reg. #44399522 :: DOB: 4/26/22 :: Polled :: Tattoo 2668

KCF BENNETT ENCORE Z311 ET
NJW 79Z Z311 ENDURE 173D ET
 BW 91H 100W RITA 79Z ET

HH ADVANCE 2029Z ET
ECR 2029 DOMINETTE 6342
 ECR 5216 DOMINETTE 1104

SCHU-LAR ON TARGET 22S
 KCF MISS REVOLUTION X338 ET
 NJW 73S M326 TRUST 100W ET
 REMITALL RITA 91H

HH ADVANCE 8203U ET
 HH MISS ADVANCE 5139R ET
 UPS DOMINO 5216
 ECR 7195 DOMINETTE 9011

| CED | BW | WW | YW | Scrotal | SCF | MILK | ACT BW | ADJ WW |
|-----|-------|------|------|---------|------|------|---------|---------|
| 1.8 | 5.2 | 73 | 114 | 1.4 | 19.6 | 29 | 101 | 754 |
| M&G | UDDER | TEAT | REA | MARB | BMIS | CHBS | LE FIG. | RE FIG. |
| 65 | 1.2 | 1.2 | 0.91 | 0.13 | 437 | 154 | 100 | 100 |

ADI. SCROTAL 40

- **POWER** bull
- 9% above average weaning weight
- Huge ribeye
- Awesome pedigree of maternal, performance and calving ease on the cow side
- **ENDURE**



• Lot 86 • ECR 901 Domino 2346

Lot 86 • ECR 901 DOMINO 2346

AHA Reg. #44402121 :: DOB: 4/1/22 :: Polled :: Tattoo 2346

CL 1 DOMINO 6128D 1ET
LW 6128 DOMINO 901G ET
 CL 1 DOMINETTE 160Y 1ET

NJW 79Z Z311 ENDURE 173D ET
ECR 173 LADY ENDURE 9712
 ECR DOMINETTE 6007

CL 1 DOMINO 386A 1ET
 CL 1 DOMINETTE 055X
 CL 1 DOMINO 929W
 CL 1 DOMINETTE 606S 1ET

KCF BENNETT ENCORE Z311 ET
 BW 91H 100W RITA 79Z ET
 CL 1 DOMINO 2109Z
 ECR LADY SENSATION 4072

| CED | BW | WW | YW | Scrotal | SCF | MILK | ACT BW | ADJ WW |
|-----|-------|------|------|---------|------|------|---------|---------|
| 3.2 | 3.5 | 66 | 110 | 1.1 | 23.8 | 36 | 88 | 757 |
| M&G | UDDER | TEAT | REA | MARB | BMIS | CHBS | LE FIG. | RE FIG. |
| 69 | 1.1 | 1.1 | 0.78 | 0.34 | 492 | 155 | 100 | 100 |

ADI. SCROTAL 44

- A mating that's been planned for awhile, Endure daughter taken back to Line 1 to get the best of both worlds. Selling cattle by the pound? Wanting to get the most out of Heterosis? Wanting exceptional maternal qualities? Sell cattle on the rail? Better look here
- 9% above average weaning weight, big spread from birth to weaning, huge carcass numbers



LW 6128 Domino 901G ET
 Sire of Lot 86

Lot 87 • ECR 8923 SANCHO 2501

AHA Reg. #44399530 :: DOB: 4/10/22 :: Horned :: Tattoo 2501

H FHF ADVANCE 628 ET
ECR 628 IVYS ADVANCE 8923 ET
 ECR MISS SENSATION 4406 ET

CHURCHILL BRAVO 3275A ET
ECR 3275 LADY SENTRY 6406
 K&B LADY SENTRY 0031X

HH ADVANCE 4075B ET
 FHF 408 RITA 21W
 UPS SENSATION 2296 ET
 ECR LADY FLOW 212ET

HH ADVANCE 0132X
 CHURCHILL LADY 9123W ET
 UPS DOMINO 3027
 K&B MISTY 8052U

| CED | BW | WW | YW | Scrotal | SCF | MILK | ACT BW | ADJ WW |
|-----|-------|------|------|---------|------|------|---------|---------|
| 0.3 | 3.1 | 55 | 85 | 1.1 | 16.1 | 28 | 89 | 672 |
| M&G | UDDER | TEAT | REA | MARB | BMIS | CHBS | LE FIG. | RE FIG. |
| 56 | 0.9 | 1.0 | 0.59 | 0.12 | 358 | 124 | 50 | 50 |

ADJ. SCROTAL 42

- Middle framed bull sure to sire pounds at weaning
- Easy fleshing and short marked
- Cow power runs throughout his pedigree



• Lot 87 • ECR 8923 Sancho 2501



• Lot 88 • ECR 173 Endure 2625

Lot 88 • ECR 173 ENDURE 2625

AHA Reg. #44399590 :: DOB: 4/21/22 :: Polled :: Tattoo 2625

KCF BENNETT ENCORE Z311 ET
NJW 79Z Z311 ENDURE 173D ET
 BW 91H 100W RITA 79Z ET

UPS UNDISPUTED ET
ECR 3304 MISS DIAMOND 7027
 ECR MISS EXTRA 2130

SCHU-LAR ON TARGET 22S
 KCF MISS REVOLUTION X338 ET
 NJW 73S M326 TRUST 100W ET
 REMITALL RITA 91H

SHF WONDER M326 W18 ET
 UPS MISS DIAMOND 1353
 ECR L18 EXTRA DEEP 9279
 IH 2110 DOMINETA 046

| CED | BW | WW | YW | Scrotal | SCF | MILK | ACT BW | ADJ WW |
|-----|-------|------|------|---------|------|------|---------|---------|
| 6.2 | 3.0 | 68 | 108 | 1.4 | 21.5 | 35 | 85 | 798 |
| M&G | UDDER | TEAT | REA | MARB | BMIS | CHBS | LE FIG. | RE FIG. |
| 69 | 1.1 | 1.1 | 0.91 | 0.22 | 473 | 169 | 100 | 100 |

ADJ. SCROTAL 42

- 15% above average weaning weight
- High calving ease, huge growth numbers
- Large ribeye and CHB
- Dark red and short marked
- **POWER BULL**
- **ENDURE**
- Has scar on neck from lump



NJW 79Z Z311 Endure 173D ET
 Sire of Lot 88



ECR Ivy's Advance 8923 ET "Sancho"
 Sire of Lot 87

Lot 89 • ECR 173 ENDURE 2490

AHA Reg. #44399241 :: DOB: 4/8/22 :: Polled :: Tattoo 2490

KCF BENNETT ENCORE Z311 ET
NJW 79Z Z311 ENDURE 173D ET
 BW 91H 100W RITA 79Z ET

UPS UNDISPUTED ET
ECR 3304 MISS DIAMOND 6012
 ECR 43Y FLO 4020

SCHU-LAR ON TARGET 22S
 KCF MISS REVOLUTION X338 ET
 NJW 73S M326 TRUST 100W ET
 REMITALL RITA 91H

SHF WONDER M326 W18 ET
 UPS MISS DIAMOND 1353
 TH 60W 719T VICTOR 43Y
 ECR FLO 2014

| CED | BW | WW | YW | Scrotal | SCF | MILK | ACT BW | ADJ WW |
|-----|-------|------|------|---------|------|------|---------|---------|
| 5.1 | 2.5 | 60 | 102 | 1.3 | 22.5 | 31 | 90 | 641 |
| M&G | UDDER | TEAT | REA | MARB | BMIS | CHBS | LE FIG. | RE FIG. |
| 61 | 1.2 | 1.2 | 0.78 | 0.17 | 481 | 161 | 100 | 100 |

ADJ. SCROTAL 41

- EPD's say he will sire cattle with tremendous growth and performance
- Exceptional carcass traits
- Short marked
- **ENDURE**



• Lot 89 • ECR 173 Endure 2490

Lot 90 • ECR 238 FORTIFY 2415

AHA Reg. #44397583 :: DOB: 3/10/22 :: Polled :: Tattoo 2415

BOYD FT KNOX 17Y XZ5 4040
NJW 84B 4040 FORTIFIED 238F
 NJW 16S 100W JOEY 84B ET

UPS SENSATION 2296 ET
ECR RO MISS TOBEY 421 ET
 JRR MISS TOBEY 711T

TH 22R 16S LAMBEAU 17Y
 DOSS MY EYES ADORE U DHZ5
 NJW 73S M326 TRUST 100W ET
 TLELL 117F JOEY 16S

CHURCHILL SENSATION 028X
 UPS JT MISS NEON 7811 ET
 FELTONS OZZIE 492
 JRR RANDI 524R

| CED | BW | WW | YW | Scrotal | SCF | MILK | ACT BW | ADJ WW |
|-----|-------|------|------|---------|------|------|---------|---------|
| 4.6 | 2.1 | 56 | 91 | 1.8 | 20.8 | 29 | 84 | 654 |
| M&G | UDDER | TEAT | REA | MARB | BMIS | CHBS | LE FIG. | RE FIG. |
| 57 | 1.2 | 1.4 | 0.42 | 0.09 | 411 | 109 | 20 | 90 |

ADJ. SCROTAL 41

- Added cow power and fleshing ability
- Lighter birthweight option at 5% lower than average



• Lot 90 • ECR 238 Fortify 2415

Semen & Cert Store available through our website on some of our top herd sires • www.fawcettselmcreekranch.com





• Lot 91 • ECR 9170 Early Riser 2437



• Lot 92 • ECR 0136 Domino 2522

Lot 91 • ECR 9170 EARLY RISER 2437

AHA Reg. #44400438 :: DOB: 4/4/22 :: Polled :: Tattoo 2437

SHF DAYBREAK Y02 D287 ET
PYRAMID DAYBREAK 9170
 FHF 3027 RITA 104B

SHF YORK 19H Y02
 SHF MISS M326 T08 ET
 UPS DOMINO 3027
 FHF 28M RITA 105Z

BAR JZ SLEEP ON 738C
ECR 738 LADY SLEEP ON 8348
 ECR 394 DOMINETTE 6666

HYALITE ON TARGET 936
 BAR JZ VIRGINIA 500Y
 CL 1 DOMINO 394A
 ECR 7195 DOMINETTE 9068

| CED | BW | WW | YW | Scrotal | SCF | MILK | ACT BW | ADJ WW |
|-----|-------|------|------|---------|------|------|---------|---------|
| 2.9 | 2.0 | 69 | 110 | 1.1 | 16.1 | 30 | 84 | 783 |
| M&G | UDDER | TEAT | REA | MARB | BMIS | CHBS | LE FIG. | RE FIG. |
| 65 | 1.4 | 1.4 | 0.62 | 0.23 | 361 | 137 | 90 | 60 |

ADJ. SCROTAL 40

- 13% above average weaning weight
- Huge spread on paper with a low BW and a high WW / YW
- Striking eye appeal
- Daybreak out of a Sleep On daughter offering performance and calving ease



Pyramid Daybreak 9170
 Sire of Lot 91

Lot 92 • ECR 0136 DOMINO 2522

AHA Reg. #44399536 :: DOB: 4/13/22 :: Horned :: Tattoo 2522

HH ADVANCE 7156E ET
CL 1 DOMINO 0136H
 CL 1 DOMINETTE 6113D 1ET

HH ADVANCE 3297A ET
 HH MISS ADVANCE 1056Y ET
 CL1 DOMINO 412B
 CL 1 DOMINETTE 2134Z 1ET

ECR REWARD 3371 ET
ECR 3371 LADY REWARDS 6413
 ECR 9126 DOMINETTE 9246 ET

KJ HVH 33N REDEEM 485T ET
 DKF 860 DOMINETTE 0500 ET
 CL 1 DOMINO 9126J 1ET
 LADY STAR 8415 MR 0557

| CED | BW | WW | YW | Scrotal | SCF | MILK | ACT BW | ADJ WW |
|-----|-------|------|------|---------|------|------|---------|---------|
| 4.6 | 2.5 | 58 | 90 | 0.8 | 12 | 24 | 86 | 694 |
| M&G | UDDER | TEAT | REA | MARB | BMIS | CHBS | LE FIG. | RE FIG. |
| 53 | 1.2 | 1.2 | 0.31 | 0.22 | 297 | 128 | 100 | 90 |

ADJ. SCROTAL 43

- Great power in his pedigree with 860 and 9126J on the bottom side
- Below average birthweight
- Will sire heavy feeder cattle and females with excellent teat / udder



CL 1 Domino 0136H
 Sire of Lot 92



• Lot 93 • ECR 173 Endure 2660

Lot 93 • ECR 173 ENDURE 2660

AHA Reg. #44399648 :: DOB: 4/24/22 :: Polled :: Tattoo 2660

KCF BENNETT ENCORE Z311 ET
NJW 79Z Z311 ENDURE 173D ET
 BW 91H 100W RITA 79Z ET

ECR 4202 DAKOTA LAD 9022
ECR 9022 MS EXPLOSION 7355
 ECR MS GENETIC EXPLOSION 1410

SCHU-LAR ON TARGET 22S
 KCF MISS REVOLUTION X338 ET
 NJW 73S M326 TRUST 100W ET
 REMITALL RITA 91H

MH DAKOTA LAD 4202
 IH 129 INSETTE 215
 DKF 5042 CENTURION 7473
 ECR LADY GE 131

| CED | BW | WW | YW | Scrotal | SCF | MILK | ACT BW | ADJ WW |
|-----|-------|------|------|---------|------|------|---------|---------|
| 1.7 | 4.9 | 64 | 103 | 1.0 | 19.4 | 35 | 91 | 775 |
| M&G | UDDER | TEAT | REA | MARB | BMIS | CHBS | LE PIG. | RE PIG. |
| 67 | 1.1 | 1.1 | 0.77 | 0.11 | 427 | 150 | 0 | 100 |

ADJ. SCROTAL 41

- 11% above average weaning weight
- Big, stout, long bodied bull with EPD's to back his phenotype
- Huge ribeye and CHB



ECR 79Z Z311 Endure 173D ET
 Sire of Lot 93

Lot 94 • ECR 8454 STEWARD 2434

AHA Reg. #44399885 :: DOB: 4/4/22 :: Polled :: Tattoo 2434

WH MR LAMBEAU 30D
ECR WF LAMBEAU 8454
 ECR MISS DONNA 6898 ET

TH 702T 17Y LAMBEAU 158A
 RW MISS VICTOR 807
 DKF RO CASH FLOW 0245 ET
 RV GOLDEN LADY 5064

UPS SENSATION 2296 ET
ECR 2296 MARTHA STEW 7575 ET
 JCS TATER TOT 3560

CHURCHILL SENSATION 028X
 UPS JT MISS NEON 7811 1ET
 JCS COOL KAT 6928
 JCS MISS 510 EXCELLA 9201

| CED | BW | WW | YW | Scrotal | SCF | MILK | ACT BW | ADJ WW |
|-----|-------|------|-----|---------|------|------|---------|---------|
| 1.4 | 3.9 | 63 | 103 | 1.2 | 16.3 | 32 | 91 | 712 |
| M&G | UDDER | TEAT | REA | MARB | BMIS | CHBS | LE PIG. | RE PIG. |
| 63 | 1.1 | 1.2 | 0.6 | 0.03 | 356 | 116 | 100 | 100 |

ADJ. SCROTAL 45

- He's got some big time growth numbers
- Above average weaning weight and sure to sire calves with added pounds at weaning



• Lot 94 • ECR 8454 Steward 2434



• Lot 95 • ECR 6305 Domino 2627

Lot 95 • ECR 6305 DOMINO 2627

AHA Reg. #44400478 :: DOB: 4/22/22 :: Horned :: Tattoo 2627

CHURCHILL BRAVO 3275A ET
ECR BRAVO 6305
 ECR 5216 HARRIET 1116

HH ADVANCE 0132X
 CHURCHILL LADY 9123W ET
 UPS DOMINO 5216
 ECR 408 HARRIET 9071

NJW 79Z Z311 ENDURE 173D ET
ECR 173D LADY ENDURE 8538
 ECR 4202 DAKOTA LASS 9107

KCF BENNETT ENCORE Z311 ET
 BW 91H 100W RITA 79Z ET
 MH DAKOTA LAD 4202
 IH 2110 DOMINETA 2410

| CED | BW | WW | YW | Scrotal | SCF | MILK | ACT BW | ADJ WW |
|------|-------|------|------|---------|------|------|---------|---------|
| -0.5 | 5.9 | 63 | 99 | 1.2 | 16.4 | 28 | 92 | 727 |
| M&G | UDDER | TEAT | REA | MARB | BMIS | CHBS | LE PIG. | RE PIG. |
| 59 | 1.0 | 0.9 | 0.65 | 0.09 | 360 | 122 | 100 | 90 |

ADJ. SCROTAL 42

- Really like this pedigree, 6305 was a keeper bull at the ranch that was out of an incredible low input type cow. Out of Endure daughter that has a bright future
- Power bull

Lot 96 • ECR EXTRA DEEP 2142 ET

AHA Reg. #44401321 :: DOB: 2/26/22 :: Horned :: Tattoo 2142

GO EXCEL L18
ECR L18 EXTRA DEEP 9279
 OXH CHRISTI 0028

HH ADVANCE 7195T
ECR 7195 DOMINETTE 9058
 IH 270 MISS MARK 294

DD EXCEL DESIGN 40
 GO MS 124 ADVANCE 7005
 CL 1 DOMINO 5131E
 OXH LOLA 8328

L1 DOMINO 03571
 HH MISS ADVANCE 3128N
 SR LOGIC 270
 IH 2110 DOMINETA 9586

| CED | BW | WW | YW | Scrotal | SCF | MILK | ACT BW | ADJ WW |
|-----|-------|------|------|---------|------|------|---------|---------|
| 4.5 | 3.3 | 49 | 78 | 0.6 | 18.3 | 28 | 89 | 712 |
| M&G | UDDER | TEAT | REA | MARB | BMIS | CHBS | LE PIG. | RE PIG. |
| 52 | 1.3 | 1.4 | 0.46 | 0.13 | 387 | 120 | 100 | 100 |

ADJ. SCROTAL 38

- Middle framed Sancho son
- Easy fleshing ability on both sides of his pedigree with added longevity



• Lot 97 • ECR 0025 Advance 2413



• Lot 98 • ECR SPH 009 Entrust 207

Lot 97 • ECR 0025 ADVANCE 2413

AHA Reg. #44399169 :: DOB: 4/3/22 :: Horned :: Tattoo 2413

CL 1 DOMINO 883F 1ET
HH ADVANCE 0025H ET
 HH MISS ADVANCE 1010Y ET

CL 1 DOMINO 6128D 1ET
 CL1 DOMINETTE 450B
 HH ADVANCE 9144W
 HH MISS ADVANCE 6033S ET

CL 1 DOMINO 2109
ECR 2109 DOMINETTE 5192
 ECR 860 INSETTE 0111

CL 1 DOMINO 994W 1ET
 CL 1 DOMINETTE 759T 1ET
 CL 1 DOMINO 860U
 IH 129 INSETTE 2119

| CED | BW | WW | YW | Scrotal | SCF | MILK | ACT BW | ADJ WW |
|-----|-------|------|-----|---------|------|------|---------|---------|
| 3.8 | 1.7 | 51 | 86 | 1.1 | 15.8 | 34 | 80 | 666 |
| M&G | UDDER | TEAT | REA | MARB | BMIS | CHBS | LE FIG. | RE FIG. |
| 60 | 1.2 | 1.3 | 0.4 | 0.35 | 357 | 139 | 100 | 100 |

SALE DAY WEIGHT • lbs :: ADJ. SCROTAL 41

- Straight horned, straight L1
- Low birthweight bull with all the cow power possible throughout his pedigree
- Good SOB



HH Advance 0025H ET
 Sire of Lot 97

Lot 98 • ECR SPH 009 ENTRUST 207

AHA Reg. #44523649 :: DOB: 3/8/22 :: Horned :: Tattoo 207

ERNST 163Z TRUSTED 6027
ERNST 6027 TRUSTED 813
 ERNST MS 2077 ADVANCE 247 ET

NJW 33TB 100W TRUST 163Z
 ERNST MS 8619 DOMINO 204
 GO 3196 ADVANCE S109
 C MS PURE GOLD 2077

NJW 79Z Z311 ENDURE 173D ET
SPH OCC FLO 009 ET
 SPH OCC FLO 509 ET

KCF BENNETT ENCORE Z311 ET
 BW 91H 100W RITA 79Z ET
 DKF RO CASH FLOW 0245 ET
 RV GOLDEN LADY 5064

| CED | BW | WW | YW | Scrotal | SCF | MILK | ACT BW | ADJ WW |
|-----|-------|------|------|---------|------|------|---------|---------|
| 6.9 | 1.6 | 58 | 88 | 1.2 | 20.1 | 32 | 85 | 750 |
| M&G | UDDER | TEAT | REA | MARB | BMIS | CHBS | LE FIG. | RE FIG. |
| 61 | 1.2 | 1.3 | 0.72 | 0.16 | 433 | 143 | 100 | 100 |

ADJ. SCROTAL 40

- One of the most massive bulls
- Not the biggest framed but one of the heaviest and a standout all his life
- Mass, power and fleshing ability





• Lot 99 • ECR SPH 516 Fort 210

Lot 99 • ECR SPH 516 FORT 210

AHA Reg. #44520357 :: DOB: 4/2/22 :: Polled :: Tattoo 210

BOYD FT KNOX 17Y XZ5 4040
NJW 84B 4040 FORTIFIED 238F
 NJW 16S 100W JOEY 84B ET

DKF RO CASH FLOW 0245 ET
SPH RO GOLDEN CASH 516ET
 RV GOLDEN LADY 5064

TH 22R 16S LAMBEAU 17Y
 DOSS MY EYES ADORE U DHZ5
 NJW 73S M326 TRUST 100W ET
 TLELL 117F JOEY 16S

CRR ABOUT TIME 743
 JRR MISS TOBEY 711T
 K&B DOMINO 2570
 RV MS GOLD DUST 3064

| CED | BW | WW | YW | Scrotal | SCF | MILK | ACT BW | ADJ WW |
|-----|-------|------|------|---------|------|------|---------|---------|
| 2.1 | 1.9 | 95 | 83 | 1.6 | 19.0 | 28 | 83 | 790 |
| M&G | UDDER | TEAT | REA | MARB | BMIS | CHBS | LE PIG. | RE PIG. |
| 56 | 1.2 | 1.3 | 0.41 | 0.06 | 387 | 109 | 100 | 70 |

ADJ. SCROTAL 41

- Middle framed bull with added shape and fleshing ability
- Lower BW with plenty of performance

Lot 100 • ECR 7437 SIR MONTGOMERY 2495 ET

AHA Reg. #44397202 :: DOB: 4/14/22 :: Polled :: Tattoo 2495

UPS SENSATION 2296 ET
H MONTGOMERY 7437 ET
 RST GAT NST Y79D LADY 54B ET

DKF RO CASH FLOW 0245 ET
ECR LADY FLOW 211ET
 RV GOLDEN LADY 5064

CHURCHILL SENSATION 028X
 UPS JT MISS NEON 7811 1ET
 WORR OWEN TANKERAY Y79D ET
 H H LADY MAXIUM 111 ET

CRR ABOUT TIME 743
 JRR MISS TOBEY 711T
 K&B DOMINO 2570
 RV MS GOLD DUST 3064

| CED | BW | WW | YW | Scrotal | SCF | MILK | ACT BW | ADJ WW |
|------|-------|------|------|---------|------|------|---------|---------|
| -1.1 | 4.2 | 55 | 90 | 0.9 | 18.5 | 36 | 89 | 794 |
| M&G | UDDER | TEAT | REA | MARB | BMIS | CHBS | LE PIG. | RE PIG. |
| 63 | 1.1 | 1.1 | 0.68 | 0.13 | 408 | 135 | 30 | 0 |

ADJ. SCROTAL 43

- Big, long, stretchy type bull that will add extension and pounds to any calf crop
- Copper Candy's brother and offers similar type and kind with added performance



• Lot 100 • ECR 7437 Sir Montgomery 2495 ET

Lot 101 • ECR 0136 DOMINO 2545

AHA Reg. #44399163 :: DOB: 4/15/22 :: Horned :: Tattoo 2545

HH ADVANCE 7156E ET
CL 1 DOMINO 0136H
 CL 1 DOMINETTE 6113D 1ET

HH ADVANCE 2029Z ET
ECR 2029 MISS ADVANCE 5127
 ECR 860 DOMINETTE 2006

HH ADVANCE 3297A ET
 HH MISS ADVANCE 1056Y ET
 CL 1 DOMINO 412B
 CL 1 DOMINETTE 2134Z 1ET

HH ADVANCE 8203U ET
 HH MISS ADVANCE 5139R ET
 CL 1 DOMINO 860U
 ECR 7195 LADY STAR 9229

| CED | BW | WW | YW | Scrotal | SCF | MILK | ACT BW | ADJ WW |
|-----|-------|------|------|---------|------|------|---------|---------|
| 6.5 | 2.2 | 63 | 98 | 0.9 | 12.9 | 26 | 87 | 779 |
| M&G | UDDER | TEAT | REA | MARB | BMIS | CHBS | LE PIG. | RE PIG. |
| 58 | 1.1 | 1.2 | 0.45 | 0.25 | 313 | 135 | 100 | 100 |

ADJ. SCROTAL 40

- Straight horned
- Lighter birthweight with 12% above average weaning weight
- EPD's match his actuals with a high calving ease, high growth while maintaining desirable carcass traits



• Lot 101 • ECR 0136 Domino 2545



• Lot 102 • ECR 326 Domino 2337

Lot 102 • ECR 326 DOMINO 2337

AHA Reg. #44399641 :: DOB: 4/1/22 :: Horned :: Tattoo 2337

NJW 2249 10W WHIT 12B
TSR WHIT E326
 ECR FLO 4093

UPS UNDISPUTED ET
ECR 3304 DOMINETTE 7249
 ECR 9231 DOMINETTE 3229

LJR 023R WHITMORE 10W
 C 8231 SENTINEL 2249
 DKF RO CASH FLOW 0245 ET
 JDH MS 19D WRANGLER 8T 40X

SHF WONDER M326 W18 ET
 UPS MISS DIAMOND 1353
 ECR 7195 STONEY 9231
 ECR 8050 DOMINETTE 1100

| CED | BW | WW | YW | Scrotal | SCF | MILK | ACT BW | ADJ WW |
|-----|-------|------|-----|---------|------|------|---------|---------|
| 2.7 | 3.2 | 57 | 92 | 0.9 | 19.5 | 30 | 88 | 717 |
| M&G | UDDER | TEAT | REA | MARB | BMIS | CHBS | LE PIG. | RE PIG. |
| 59 | 1.1 | 1.1 | 0.4 | 0.09 | 401 | 117 | 100 | 100 |

ADJ. SCROTAL 40

- Big, stout, horned bull that's long bodied with excellent EPD's
- Mother is an Undisputed daughter back to 7195
- Lower BW



UPS Undisputed ET
 Maternal Grand sire of Lot 102

Lot 103 • ECR 2401 SANCHO 2401

AHA Reg. #44399178 :: DOB: 4/3/22 :: Horned :: Tattoo 2401

H FHF ADVANCE 628 ET
ECR 628 IVYS ADVANCE 8923 ET
 ECR MISS SENSATION 4406 ET

HH ADVANCE 4075B ET
 FHF 408 RITA 21W
 UPS SENSATION 2296 ET
 ECR LADY FLOW 212ET

ECR 5216 DOMINO 0340
ECR 0340 DOMINETTE 5383
 ECR DOMINETTE 1451

UPS DOMINO 5216
 ECR LADY GEN 449
 ECR 4129 FLAME 7450
 ECR LADY DOMINO 460



ECR 628 Ivy's Advance 8923 ET "Sancho"
 Sire of Lot 103

| CED | BW | WW | YW | Scrotal | SCF | MILK | ACT BW | ADJ WW |
|------|-------|------|------|---------|------|------|---------|---------|
| -0.1 | 2.9 | 53 | 82 | 1.2 | 16.2 | 25 | 88 | 660 |
| M&G | UDDER | TEAT | REA | MARB | BMIS | CHBS | LE PIG. | RE PIG. |
| 52 | 1.2 | 1.1 | 0.63 | 0.05 | 349 | 112 | 90 | 40 |

ADJ. SCROTAL 39

- Sancho son with added power from the cow side
- Big ribeye and added muscle shape



• Lot 104 • ECR 0136 Domino 2593

Lot 104 • ECR 0136 DOMINO 2593

AHA Reg. #44399081 :: DOB: 4/16/22 :: Horned :: Tattoo 2593

HH ADVANCE 7156E ET
CL 1 DOMINO 0136H
 CL 1 DOMINETTE 6113D 1ET

K&B ADVANCER 0133X ET
ECR 0133 SABRINA 4253
 ECR 5322 SABRINA 8152

HH ADVANCE 3297A ET
 HH MISS ADVANCE 1056Y ET
 CL1 DOMINO 412B
 CL 1 DOMINETTE 2134Z 1ET

HH ADVANCE 8141U
 K&B MISS EXCEL 4216
 IH SABRE 5322
 IH 129 INSETTE 3679

| CED | BW | WW | YW | Scrotal | SCF | MILK | ACT BW | ADJ WW |
|-----|-------|------|------|---------|------|------|---------|---------|
| 3.6 | 3.7 | 62 | 96 | 0.9 | 11.4 | 25 | 88 | 701 |
| M&G | UDDER | TEAT | REA | MARB | BMIS | CHBS | LE PIG. | RE PIG. |
| 56 | 1.2 | 1.2 | 0.41 | 0.24 | 293 | 136 | 100 | 100 |

ADJ. SCROTAL 39

- Straight horned
- Big, stretchy bull that offers exactly what the rancher is after, **GROWTH** and **PERFORMANCE**
- Predictability in his pedigree / proof in the puddin'



• Lot 105 • ECR 97F Homeless 2488

Lot 105 • ECR 97F HOMELESS 2488

AHA Reg. #44399639 :: DOB: 4/9/22 :: Polled :: Tattoo 2488

NJW 135U 10Y HOMETOWN 73C ET
JDH AH 34X HOMETOWN 97F ET
 AH JDH MS 25L WRANGLER 34X

ECR 2296 FLO SENSATION 4387 ET
ECR 4387 SABRINA 7230
 ECR 2029 SABRINA 4370

NJW 73S W18 HOMETOWN 10Y ET
 NJW 4037 34S DURANGO VACA 135U
 JDH 15 WRANGLER 25L
 AH QUEEN BELLE 14R

UPS SENSATION 2296 ET
 ECR LADY FLOW 212ET
 HH ADVANCE 2029Z ET
 ECR 7195 SABRINA 0095

| CED | BW | WW | YW | Scrotal | SCF | MILK | ACT BW | ADJ WW |
|-----|-------|------|------|---------|------|------|---------|---------|
| 2.8 | 2.9 | 62 | 92 | 1.3 | 17.6 | 30 | 85 | 729 |
| M&G | UDDER | TEAT | REA | MARB | BMIS | CHBS | LE PIG. | RE PIG. |
| 61 | 1.3 | 1.3 | 0.35 | 0.29 | 371 | 123 | 100 | 40 |

ADJ. SCROTAL 39

- Big ol' stout kind with muscle and body
- Soft in his design but wide in his build
- Growth and power in his pedigree



• Lot 106 • ECR 0136 Domino 2508

Lot 106 • ECR 0136 DOMINO 2508

AHA Reg. #44399194 :: DOB: 4/11/22 :: Horned :: Tattoo 2508

HH ADVANCE 7156E ET
CL 1 DOMINO 0136H
 CL 1 DOMINETTE 6113D 1ET

CL 1 DOMINO 2109Z
ECR 2109 DOMINETTE 5612
 RV NOBLE LADY 632Z

HH ADVANCE 3297A ET
 HH MISS ADVANCE 1056Y ET
 CL1 DOMINO 412B
 CL 1 DOMINETTE 2134Z 1ET

CL 1 DOMINO 994W 1ET
 CL 1 DOMINETTE 759T 1ET
 HA NOBLEMAN N310
 HPH 493C MISS EXT 323 ET

| CED | BW | WW | YW | Scrotal | SCF | MILK | ACT BW | ADJ WW |
|-----|-------|------|------|---------|------|------|---------|---------|
| 2.2 | 3.3 | 65 | 98 | 0.8 | 11.5 | 24 | 89 | 680 |
| M&G | UDDER | TEAT | REA | MARB | BMIS | CHBS | LE PIG. | RE PIG. |
| 56 | 1.1 | 1.1 | 0.46 | 0.17 | 292 | 126 | 30 | 20 |

ADJ. SCROTAL 29

- Well balanced phenotypically
- Muscle shape and power
- Great EPD spread from birth to weaning / yearling
- Cooper on both sides of his pedigree



CL 1 Domino 0136H
 Sire of Lot 106



• Lot 107 • ECR 0025 Advance 2361

Lot 107 • ECR 0025 ADVANCE 2361

AHA Reg. #44399991 :: DOB: 3/31/22 :: Horned :: Tattoo 2361

CL 1 DOMINO 883F 1ET
HH ADVANCE 0025H ET
 HH MISS ADVANCE 1010Y ET

CHURCHILL BRAVO 3275A ET
ECR 3275 DOMINETTE 8173
 ECR 2004 DOMINETTE 4005

CL 1 DOMINO 6128D 1ET
 CL1 DOMINETTE 450B
 HH ADVANCE 9144W
 HH MISS ADVANCE 6033S ET

HH ADVANCE 0132X
 CHURCHILL LADY 9123W ET
 ECR 9279 DOMINO 2004
 ECR 017 DOMINETTE 2082

| CED | BW | WW | YW | Scrotal | SCF | MILK | ACT BW | ADJ WW |
|-----|-------|------|------|---------|------|------|---------|---------|
| 1.6 | 3.3 | 58 | 90 | 1.0 | 15.6 | 35 | 85 | 718 |
| M&G | UDDER | TEAT | REA | MARB | BMIS | CHBS | LE PIG. | RE PIG. |
| 64 | 1.2 | 1.2 | 0.41 | 0.36 | 358 | 141 | 100 | 80 |

ADJ. SCROTAL 41

- Straight horned
- Shapey bugger with below average birthweight and above average weaning weight
- Good EPD's with above average carcass and CHB
- A bit wider constructed than average

Lot 108 • ECR 5707 BUCKY 2502

AHA Reg. #44404612 :: DOB: 4/12/22 :: Polled :: Tattoo 2502

ECR 3116 ADVENTURE 7647 ET
BK HESTON 5707H
 BK COOL BEANS 5707C

CL 1 DOMINO 394A
ECR 394 MISS VICTOR 7393
 ECR 43Y MISS VICTOR 4343

BR NITRO AVENTUS 3116 ET
 ECR MISS SENSATION 4356 ET
 VH MR BG 1104
 HAPP KOOL AID POINTS 1218 ET

CL 1 DOMINO 105Y
 CL 1 DOMINETTE 7157T
 TH 60W 719T VICTOR 43Y
 ECR 7195 SABRINA 0201

| CED | BW | WW | YW | Scrotal | SCF | MILK | ACT BW | ADJ WW |
|-----|-------|------|------|---------|------|------|---------|---------|
| 1.3 | 3.1 | 56 | 94 | 0.3 | 17.1 | 30 | 90 | 708 |
| M&G | UDDER | TEAT | REA | MARB | BMIS | CHBS | LE PIG. | RE PIG. |
| 58 | 1.1 | 1.2 | 0.42 | 0.07 | 352 | 108 | 80 | 95 |

ADJ. SCROTAL 38

- Lower birthweight pedigree with added performance
- A bit of Topp Hereford's pedigree back on the cow side with added power on the top side



• Lot 108 • ECR 5707 Bucky 2502



• Lot 109 • ECR 0136 Domino 2503

Lot 109 • ECR 0136 DOMINO 2503

AHA Reg. #44398848 :: DOB: 4/11/22 :: Horned :: Tattoo 2503

HH ADVANCE 7156E ET
CL 1 DOMINO 0136H
 CL 1 DOMINETTE 6113D 1ET

HH ADVANCE 3297A ET
 HH MISS ADVANCE 1056Y ET
 CL1 DOMINO 412B
 CL 1 DOMINETTE 2134Z 1ET

CL 1 DOMINO 860U
ECR 860 GENETIC LADY 3521 ET
 ECR LADY GE 131

CL 1 DOMINO 637S 1ET
 CL 1 DOMINETTE 5142R
 GK GENETIC EXPLOSION
 LADY GEN 664

| CED | BW | WW | YW | Scrotal | SCF | MILK | ACT BW | ADJ WW |
|-----|-------|------|------|---------|------|------|---------|---------|
| 3.6 | 3.7 | 68 | 106 | 0.8 | 13.6 | 25 | 88 | 707 |
| M&G | UDDER | TEAT | REA | MARB | BMIS | CHBS | LE PIG. | RE PIG. |
| 59 | 1.2 | 1.2 | 0.47 | 0.26 | 328 | 142 | 100 | 100 |

ADJ. SCROTAL 40

- Straight horned and straight up good
- 19% above average weaning weight
- Awesome set of EPD's with WW in top 8% of the breed
- Impeccable pedigree back to the 131 donor



• Lot 110 • ECR 238 Fortified 2080

Lot 110 • ECR 238 FORTIFIED 2080

AHA Reg. #44397207 :: DOB: 2/24/22 :: Polled :: Tattoo 2080

BOYD FT KNOX 17Y XZ5 4040
NJW 84B 4040 FORTIFIED 238F
 NJW 16S 100W JOEY 84B ET

TH 22R 16S LAMBEAU 17Y
 DOSS MY EYES ADORE U DHZ5
 NJW 73S M326 TRUST 100W ET
 TLELL 117F JOEY 16S

NJW 84B 10W JOURNEY 53D
ECR 53D LADY DIAMOND 0259
 ECR LADY DIAMONDS 7042

LJR 023R WHITMORE 10W
 NJW 16S 100W JOEY 84B ET
 UPS UNDISPUTED ET
 ECR 7195 SABRINA 0022

| CED | BW | WW | YW | Scrotal | SCF | MILK | ACT BW | ADJ WW |
|-----|-------|------|------|---------|------|------|---------|---------|
| 5.1 | 1.3 | 60 | 95 | 1.7 | 18.8 | 27 | 76 | 710 |
| M&G | UDDER | TEAT | REA | MARB | BMIS | CHBS | LE PIG. | RE PIG. |
| 57 | 1.3 | 1.4 | 0.33 | 0.12 | 380 | 108 | 100 | 100 |

ADJ. SCROTAL 43

- Low BW bull with high calving ease
- Big time growth numbers with 76 pound birthweight
- Figures for use on heifers and performance suitable for use on cows
- Short marked and easy fleshing

live broadcast and online bidding

The Livestock LinkTM

Livestock Videoing • Video Sales
 • Bid-by-Click Online Sales

To view events go to
www.TheLivestockLink.com

Check our website and social media after February 1st for videos of all the sale cattle

www.fawcettselmcreekranch.com

Facebook @FawcettsECR



• Lot 111 • ECR 901 Domino 2656



• Lot 112 • ECR 5451 Copper 2547 ET

Lot 111 • ECR 901 DOMINO 2656

AHA Reg. #44401948 :: DOB: 4/25/22 :: Horned :: Tattoo 2656

CL 1 DOMINO 6128D 1ET
LW 6128 DOMINO 901G ET
 CL 1 DOMINETTE 160Y 1ET

THR THOR 7005E
ECR 7005 MISS DIAMOND 9341
 ECR 3304 MISS DIAMOND 7245

CL 1 DOMINO 386A 1ET
 CL 1 DOMINETTE 055X
 CL 1 DOMINO 929W
 CL 1 DOMINETTE 606S 1ET

PYRAMID 3027 DOMINO 1109
 THR MISS THOR 5127C
 UPS UNDISPUTED ET
 ECR AL MARY JANE 3004 ET

| CED | BW | WW | YW | Scrotal | SCF | MILK | ACT BW | ADJ WW |
|-----|-------|------|------|---------|------|------|---------|---------|
| 3.0 | 3.5 | 64 | 113 | 1.1 | 23.3 | 37 | 88 | 724 |
| M&G | UDDER | TEAT | REA | MARB | BMIS | CHBS | LE FIG. | RE FIG. |
| 69 | 1.2 | 1.3 | 0.59 | 0.41 | 477 | 152 | 100 | 100 |

ADJ. SCROTAL 42

- Big time EPD's
- Huge spread from BW to WW / YW
- Abundance of marbling with a high CHB
- Long bodied and easy fleshing



LW 6128 Domino 901G ET
 Sire of Lot 111

Lot 112 • ECR 5451 COPPER 2547 ET

AHA Reg. #44399184 :: DOB: 4/14/22 :: Horned :: Tattoo 2547

DM BR SOONER
BR CSF COPPER ET
 BR GABRIELLE 5082

UPS SENSATION 2296 ET
ECR CANDI 5451 ET
 ECR LADY FLOW 212ET

REMITALL ONLINE 122L
 DM L1 DOMINETTE 901
 BR LANSING 3060
 BR GOLDRIEL 3029 ET

CHURCHILL SENSATION 028X
 UPS JT MISS NEON 7811 1ET
 DKF RO CASH FLOW 0245 ET
 RV GOLDEN LADY 5064

| CED | BW | WW | YW | Scrotal | SCF | MILK | ACT BW | ADJ WW |
|------|-------|------|------|---------|------|------|---------|---------|
| -1.9 | 4.1 | 69 | 107 | 0.9 | 17.3 | 27 | 91 | 749 |
| M&G | UDDER | TEAT | REA | MARB | BMIS | CHBS | LE FIG. | RE FIG. |
| 61 | 1.2 | 1.2 | 0.76 | 0.02 | 375 | 120 | 20 | 10 |

ADJ. SCROTAL 38

- 10% above average weaning weight
- Long, stretchy kind that'll put pounds on feeder cattle





• Lot 113 • ECR 173 Endure 2667

Lot 113 • ECR 173 ENDURE 2667

AHA Reg. #44399629 :: DOB: 4/24/22 :: Polled :: Tattoo 2667

KCF BENNETT ENCORE Z311 ET
NJW 79Z Z311 ENDURE 173D ET
 BW 91H 100W RITA 79Z ET

UPS UNDISPUTED ET
ECR 3304 MISS DIAMOND 7149
 ECR 88X MISS RIBLET 4123

SCHU-LAR ON TARGET 22S
 KCF MISS REVOLUTION X338 ET
 NJW 73S M326 TRUST 100W ET
 REMITALL RITA 91H

SHF WONDER M326 W18 ET
 UPS MISS DIAMOND 1353
 NJW 98S R117 RIBEYE 88X ET
 DKF 19D MISS PATRIOT 7507

| CED | BW | WW | YW | Scrotal | SCF | MILK | ACT BW | ADJ WW |
|-----|-------|------|------|---------|------|------|---------|---------|
| 4.7 | 3.7 | 69 | 113 | 1.3 | 21.2 | 38 | 88 | 795 |
| M&G | UDDER | TEAT | REA | MARB | BMIS | CHBS | LE FIG. | RE FIG. |
| 72 | 1.2 | 1.2 | 0.93 | 0.22 | 470 | 170 | 100 | 100 |

ADJ. SCROTAL 40

- 14% above average weaning weight
- 170 CHB with great growth numbers
- Dark red and short marked professional baldy maker

The
RANCHER'S
Kind

www.fawcettelmcreekranch.com

Lot 114 • ECR 9093 CLYDE 2315

AHA Reg. #44397685 :: DOB: 3/26/22 :: Horned :: Tattoo 2315

H FHF ADVANCE 628 ET
ECR 628 GENETIC ADVANCE 9093
 ECR 9279 GENETIC LADY 3269 ET

ECR 628 ADVANCE 8014
ECR 8014 BONNIE 0535
 ECR BONNIE 2294

HH ADVANCE 4075B ET
 FHF 408 RITA 21W
 ECR L18 EXTRA DEEP 9279
 ECR LADY GE 131

H FHF ADVANCE 628 ET
 ECR 0132 DOMINETTE 3374
 K&B BANDIDO 8227U ET
 IH 2110 DOMINETA 2444

| CED | BW | WW | YW | Scrotal | SCF | MILK | ACT BW | ADJ WW |
|-----|-------|------|------|---------|------|------|---------|---------|
| 5.9 | 3.4 | 53 | 76 | 0.6 | 17.5 | 21 | 81 | 752 |
| M&G | UDDER | TEAT | REA | MARB | BMIS | CHBS | LE FIG. | RE FIG. |
| 48 | 1.2 | 1.3 | 0.62 | 0.07 | 378 | 123 | 70 | 10 |

ADJ. SCROTAL 42

- Big weaning weight bull
- The mother of his sire is one of the easiest keeping, hardest working cows on the ranch, still going at 10 with more years ahead
- Power in the blood



• Lot 114 • ECR 9093 Clyde 2315



• Lot 115 • ECR 173 Endure 2197

Lot 115 • ECR 173 ENDURE 2197

AHA Reg. #44399990 :: DOB: 3/7/22 :: Polled :: Tattoo 2197

KCF BENNETT ENCORE Z311 ET
NJW 79Z Z311 ENDURE 173D ET
 BW 91H 100W RITA 79Z ET

CHURCHILL BRAVO 3275A ET
ECR 3275 DOMINETTE 8162
 ECR 2109 DOMINETTE 5102

SCHU-LAR ON TARGET 22S
 KCF MISS REVOLUTION X338 ET
 NJW 73S M326 TRUST 100W ET
 REMITALL RITA 91H

HH ADVANCE 0132X
 CHURCHILL LADY 9123W ET
 CL 1 DOMINO 2109Z
 ECR 606 DOMINETTE 9180

| CED | BW | WW | YW | Scrotal | SCF | MILK | ACT BW | ADJ WW |
|-----|-------|------|-----|---------|------|------|---------|---------|
| 2.9 | 3.7 | 61 | 100 | 1.1 | 16.6 | 28 | 88 | 744 |
| M&G | UDDER | TEAT | REA | MARB | BMIS | CHBS | LE FIG. | RE FIG. |
| 58 | 1.0 | 1.1 | 0.7 | 0.18 | 389 | 152 | 100 | 100 |

ADJ. SCROTAL 41

- Ideal EPD's
- Longer bodied bull and short marked
- Stout ground pounder with added power from the cow side



• Lot 116 • ECR 9156 Bobs Advance 2480

Lot 116 • ECR 9156 BOBS ADVANCE 2480

AHA Reg. #44399909 :: DOB: 4/19/22 :: Horned :: Tattoo 2480

HH ADVANCE 5107C ET
HH ADVANCE 9156G
 HH MISS ADVANCE 4099B

ECR EXTRA DEEP 4264 ET
ECR 4264 BOBBI SUE 7704
 ECR 3027 BOBBY SUE 4010

CL 1 DOMINO 215Z
 HH MISS ADVANCE 9228W
 HH ADVANCE 1013Y ET
 HH MISS ADVANCE 1037Y ET

ECR L18 EXTRA DEEP 9279
 ECR 7195 DOMINETTE 9058
 UPS DOMINO 3027
 ECR BOBBY SUE 2075

| CED | BW | WW | YW | Scrotal | SCF | MILK | ACT BW | ADJ WW |
|-----|-------|------|------|---------|------|------|---------|---------|
| 3.9 | 2.9 | 59 | 91 | 0.7 | 18.5 | 27 | 86 | 700 |
| M&G | UDDER | TEAT | REA | MARB | BMIS | CHBS | LE FIG. | RE FIG. |
| 56 | 1.0 | 1.2 | 0.44 | 0.30 | 394 | 136 | 100 | 20 |

ADJ. SCROTAL 41

- Nice combination pedigree of L1 and power
- Lower BW bull with plenty of growth and maternal
- Great carcass numbers with big ribeye and added marbling



• Lot 117 • ECR 901 Domino 2148

Lot 117 • ECR 901 DOMINO 2148

AHA Reg. #44401973 :: DOB: 2/27/22 :: Horned :: Tattoo 2148

CL 1 DOMINO 6128D 1ET
LW 6128 DOMINO 901E ET
 CL 1 DOMINETTE 160Y 1ET

ECR SHAMELESS 7586 ET
ECR 7586 GRETTA 9380
 ECR 5216 DOMINETTE 1110

CL 1 DOMINO 386A 1ET
 CL 1 DOMINETTE 055X
 CL 1 DOMINO 929W
 CL 1 DOMINETTE 606S 1ET

DKF RO CASH FLOW 0245 ET
 RV GOLDEN LADY 5064
 UPS DOMINO 5216
 ECR 7195 DOMINETTE 9018

| CED | BW | WW | YW | Scrotal | SCF | MILK | ACT BW | ADI WW |
|-----|-------|------|------|---------|------|------|---------|---------|
| 2.6 | 3.8 | 53 | 91 | 1.1 | 25 | 33 | 90 | 732 |
| M&G | UDDER | TEAT | REA | MARB | BMIS | CHBS | LE PIG. | RE PIG. |
| 60 | 1.3 | 1.3 | 0.53 | 0.24 | 485 | 127 | 80 | 70 |

ADJ. SCROTAL 41

- Great carcass with added marbling
- Sired by the great 901 herd bull out of a really stout Shameless daughter

Lot 118 • ECR 53D JOURNEY 2567

AHA Reg. #44399179 :: DOB: 4/14/22 :: Polled :: Tattoo 2567

LJR 023R WHITMORE 10W
NJW 84B 10W JOURNEY 53D
 NJW 16S 100W JOEY 84B ET

NJW 73S W18 HOMETOWN 10Y ET
ECR 10Y HOMETOWN LADY 5387 ET
 ECR L18 GEN LADY 6131

KJ C&L J119 LOGIC 023R ET
 LJR MICKEY 278N
 NJW 73S M326 TRUST 100W ET
 TLELL 117F JOEY 16S

SHF WONDER M326 W18 ET
 NJW P606 72N DAYDREAM 73S
 GO EXCEL L18
 ECR LADY GE 131

| CED | BW | WW | YW | Scrotal | SCF | MILK | ACT BW | ADI WW |
|------|-------|------|------|---------|------|------|---------|---------|
| 11.9 | 0.4 | 58 | 87 | 1.4 | 21.1 | 27 | 76 | 696 |
| M&G | UDDER | TEAT | REA | MARB | BMIS | CHBS | LE PIG. | RE PIG. |
| 56 | 1.1 | 1.1 | 0.32 | 0.15 | 409 | 108 | 100 | 40 |

ADJ. SCROTAL 41

- Can't go wrong with a 53D son to make those highly sought after baldies
- Loowwwwwww birthweight bull with calving ease direct of 11.9 yet still has the growth and performance that's demanded



• NJW 84B 10W Journey 53D • Sire of Lot 118

Lot 119 • ECR 0136 DOMINO 2542

AHA Reg. #44402067 :: DOB: 4/13/22 :: Horned :: Tattoo 2542

HH ADVANCE 7156E ET
CL 1 DOMINO 0136H
 CL 1 DOMINETTE 6113D 1ET

ECR BRAVO 6305
ECR 6305 DOMINETTE 9590
 ECR 860 DOMINETTE 5156

HH ADVANCE 3297A ET
 HH MISS ADVANCE 1056Y ET
 CL 1 DOMINO 412B
 CL 1 DOMINETTE 2134Z 1ET

CHURCHILL BRAVO 3275A ET
 ECR 5216 HARRIET 1116
 CL 1 DOMINO 860U
 ECR 7195 LUCY 9344

| CED | BW | WW | YW | Scrotal | SCF | MILK | ACT BW | ADI WW |
|-----|-------|------|------|---------|------|------|---------|---------|
| 2.9 | 3.6 | 67 | 103 | 1.0 | 13.1 | 27 | 87 | 763 |
| M&G | UDDER | TEAT | REA | MARB | BMIS | CHBS | LE PIG. | RE PIG. |
| 60 | 1.1 | 1.1 | 0.51 | 0.2 | 316 | 132 | 80 | 100 |

ADJ. SCROTAL 42

- Straight horned
- 7% above average weaning weight with tremendous growth figures
- Sired by the great Cooper bull with power all the way through the cow side including 6305 and 860



• Lot 119 • ECR 0136 Domino 2542



• Lot 120 • ECR 173 Endure 2675

Lot 120 • ECR 173 ENDURE 2675

AHA Reg. #44398854 :: DOB: 4/27/22 :: Polled :: Tattoo 2675

KCF BENNETT ENCORE Z311 ET
NJW 79Z Z311 ENDURE 173D ET
 BW 91H 100W RITA 79Z ET

NJW 37U 100W TRUST 113Z
THR MISS THOR 4047B
 THR MISS THOR 1161Y

SCHU-LAR ON TARGET 22S
 KCF MISS REVOLUTION X338 ET
 NJW 73S M326 TRUST 100W ET
 REMITALL RITA 91H

NJW 73S M326 TRUST 100W ET
 NJW 4037 80L FAITH 37U
 SR SAGA 529W
 THR MISS THOR 4197

| CED | BW | WW | YW | Scrotal | SCF | MILK | ACT BW | ADI WW |
|-----|-------|------|-----|---------|------|------|---------|---------|
| 5.2 | 4.3 | 69 | 117 | 1.4 | 20.8 | 27 | 89 | 737 |
| M&G | UDDER | TEAT | REA | MARB | BMIS | CHBS | LE PIG. | RE PIG. |
| 61 | 1.2 | 1.1 | 0.8 | 0.10 | 453 | 154 | 100 | 100 |

ADJ. SCROTAL 43

- Stout and soggy Endure son
- 4 - 117 YW, huge ribeye with a 154 CHB
- Short marked pound maker



• Lot 121 • ECR Advance 2602

Lot 121 • ECR ADVANCE 2602

AHA Reg. #44400050 :: DOB: 4/18/22 :: Horned :: Tattoo 2602

H FHF ADVANCE 628 ET
ECR 628 ADVANCE 9461 ET
 ECR CANDI 5451 ET

CHURCHILL BRAVO 3275A ET
ECR 3275 DOMINETTE 8260
 ECR 394 DOMINETTE 5100

HH ADVANCE 4075B ET
 FHF 408 RITA 21W
 UPS SENSATION 2296 ET
 ECR LADY FLOW 212ET

HH ADVANCE 0132X
 CHURCHILL LADY 9123W ET
 CL 1 DOMINO 394A
 ECR MISS TRACI 2252

| CED | BW | WW | YW | Scrotal | SCF | MILK | ACT BW | ADI WW |
|------|-------|------|------|---------|------|------|---------|---------|
| -1.6 | 4.8 | 60 | 92 | 1.0 | 16.3 | 24 | 92 | 780 |
| M&G | UDDER | TEAT | REA | MARB | BMIS | CHBS | LE PIG. | RE PIG. |
| 54 | 1.0 | 1.1 | 0.61 | 0.07 | 359 | 121 | 100 | 100 |

ADJ. SCROTAL 41

- 9% above average weaning weight
- Soggy and stout with added depth
- He's got all the power in person and on paper



• Lot 122 • ECR 238 Fortified 2004



• Lot 123 • ECR 1628 Domino 2626



• NJW 84B Fortified 238F • Sire of Lot 122

Lot 122 • ECR 238 FORTIFIED 2004

AHA Reg. #44397211 :: DOB: 2/18/22 :: Polled :: Tattoo 2004

BOYD FT KNOX 17Y XZ5 4040
NJW 84B 4040 FORTIFIED 238F
 NJW 16S 100W JOEY 84B ET

ECR SHAMELESS 7586 ET
ECR 7586 SHARON 0353
 ECR 5201 SHARON 7445

TH 22R 16S LAMBEAU 17Y
 DOSS MY EYES ADORE U DHZ5
 NJW 73S M326 TRUST 100W ET
 TLELL 117F JOEY 16S

DKF RO CASH FLOW 0245 ET
 RV GOLDEN LADY 5064
 ECR 1103 TURBO 5201
 ECR MISS SHARON 5092

| CED | BW | WW | YW | Scrotal | SCF | MILK | ACT BW | ADJ WW |
|-----|-------|------|-----|---------|------|------|---------|---------|
| 1.6 | 1.2 | 53 | 86 | 1.2 | 16.5 | 26 | 74 | 694 |
| M&G | UDDER | TEAT | REA | MARB | BMIS | CHBS | LE PIG. | RE PIG. |
| 52 | 1.2 | 1.3 | 0.4 | 0.09 | 350 | 112 | 100 | 100 |

ADJ. SCROTAL 39

- Lower birthweight bull
- Efficient converter
- Backed by a very good cow
- Dark in color and short marked

Lot 123 • ECR 1628 DOMINO 2626

AHA Reg. #44399866 :: DOB: 4/20/22 :: Horned :: Tattoo 2626

CL 1 DOMINO 955W
MC ADVANCE 955W 1628 ET
 HH MISS ADVANCE 1079Y ET

CHURCHILL BRAVO 3275A ET
ECR 3275 DOMINETTE 7412
 ECR LADY EXCEL 2452

CL 1 DOMINO 637S 1ET
 CL 1 DOMINETTE 5152R
 HH ADVANCE 8050U ET
 HH MISS ADVANCE 6109S

HH ADVANCE 0132X
 CHURCHILL LADY 9123W ET
 DKF 477 EXCEL 8241
 ECR L18 JEWELS 555

| CED | BW | WW | YW | Scrotal | SCF | MILK | ACT BW | ADJ WW |
|-----|-------|------|------|---------|------|------|---------|---------|
| 2.6 | 3.4 | 61 | 91 | 1.0 | 13.1 | 30 | 88 | 757 |
| M&G | UDDER | TEAT | REA | MARB | BMIS | CHBS | LE PIG. | RE PIG. |
| 61 | 1.0 | 1.0 | 0.53 | 0.09 | 307 | 118 | 100 | 95 |

ADJ. SCROTAL 41

- Big weaning weight bull that was 6% above average
- Big ribeye'd bull
- Stout and short marked with plenty of center body mass



The F1 Baldy Yearling Heifers

F1 black baldy open yearling heifers. These heifers are the top cut and we feel they will be some of the elite to be offered anywhere in the country.

Heifers will be sold in lots of 10. High bidder has the right to take them all so don't wait to bid.

live broadcast and online bidding

The Livestock LinkTM

Livestock Videoing • Video Sales
 • Bid-by-Click Online Sales

To view events go to
www.TheLivestockLink.com

Check our website and social media after February 1st for videos of all the sale cattle

www.fawcettselmcreekranch.com

Facebook @FawcettsECR

the RANCHER'S Kind
www.fawcettselmcreekranch.com



LW 901 Domino 1001J

REF SIRE • LW 901 DOMINO 1001J
AHA Reg. #44270636 :: DOB: 12/30/20 :: Horned :: Tattoo 1001J

CL 1 DOMINO 6128D 1ET
LW 6128 DOMINO 901G ET
 CL 1 DOMINETTE 160Y 1ET

CL 1 DOMINO 215Z
CL 1 DOMINETTE 7209E
 MONTANA MISS 1179Y

CL 1 DOMINO 386A 1ET
 CL 1 DOMINETTE 055X
 CL 1 DOMINO 929W
 CL 1 DOMINETTE 606S 1ET

CL 1 DOMINO 9122W 1ET
 CL 1 DOMINETTE 055X
 CL 1 DOMINO 7110T
 MONTANA MISS 753T

| CED | BW | WW | YW | Scrotal | SCF | MILK |
|-----|-------|------|------|---------|------|------|
| 1.9 | 4.5 | 70 | 116 | 1.3 | 19.8 | 35 |
| M&G | UDDER | TEAT | REA | MARB | BMIS | CHBS |
| 70 | 1.3 | 1.4 | 0.54 | 0.42 | 426 | 148 |



LW 6128 Domino 1026J ET

REF SIRE • LW 6128 DOMINO 1026J ET
AHA Reg. #44270731 :: DOB: 1/10/21 :: Horned :: Tattoo 1026J

CL 1 DOMINO 386A 1ET
CL 1 DOMINO 6128D 1ET
 CL 1 DOMINETTE 055X

HH ADVANCE 4055P
HH MISS ADVANCE 1005Y ET
 HH MISS ADVANCE 7142T

CL 1 DOMINO 1108Y 1ET
 CL 1 DOMINETTE 440P 1ET
 CL 1 DOMINO 860U
 CL 1 DOMINETTE 7136T 1ET

HH ADVANCE 145L
 HH MISS ADVANCE 9065J
 L1 DOMINO 0357I
 HH MISS ADVANCE 3171N

| CED | BW | WW | YW | Scrotal | SCF | MILK |
|-----|-------|------|------|---------|------|------|
| 2.1 | 3.7 | 68 | 106 | 0.9 | 20.9 | 38 |
| M&G | UDDER | TEAT | REA | MARB | BMIS | CHBS |
| 72 | 1.4 | 1.4 | 0.38 | 0.35 | 438 | 143 |



LW 7131 Domino 1103J ET

REF SIRE • LW 7131 DOMINO 1103J ET
AHA Reg. #44279337 :: DOB: 2/11/21 :: Horned :: Tattoo 1103J

HH ADVANCE 5044C ET
CL 1 DOMINO 7131E 1ET
 CL 1 DOMINETTE 3175A

HH ADVANCE 3006A
LW 3006 MISS ADVANCE 720E ET
 CL 1 DOMINETTE 055X

CL 1 DOMINO 215Z
 HH MISS ADVANCE 1072Y ET
 CL 1 DOMINO 1161Y
 CL 1 DOMINETTE 1123Y 1ET

HH ADVANCE 0002X
 HH MISS ADVANCE 1142Y
 CL 1 DOMINO 860U
 CL 1 DOMINETTE 7136T 1ET

| CED | BW | WW | YW | Scrotal | SCF | MILK |
|------|-------|------|------|---------|------|------|
| -0.8 | 2.7 | 63 | 106 | 1.5 | 18.3 | 32 |
| M&G | UDDER | TEAT | REA | MARB | BMIS | CHBS |
| 64 | 1.4 | 1.5 | 0.59 | 0.23 | 431 | 167 |



LW 7131 Domino 1115J ET

REF SIRE • LW 7131 DOMINO 1115J ET
AHA Reg. #44279348 :: DOB: 2/12/21 :: Horned :: Tattoo 1115J

HH ADVANCE 5044C ET
CL 1 DOMINO 7131E 1ET
 CL 1 DOMINETTE 3175A

HH ADVANCE 4075B ET
LW 4075 MISS ADVANCE 732E ET
 CL 1 DOMINETTE 055X

CL 1 DOMINO 215Z
 HH MISS ADVANCE 1072Y ET
 CL 1 DOMINO 1161Y
 CL 1 DOMINETTE 1123Y 1ET

HH ADVANCE 1013Y ET
 HH MISS ADVANCE 0121X
 CL 1 DOMINO 860U
 CL 1 DOMINETTE 7136T 1ET

| CED | BW | WW | YW | Scrotal | SCF | MILK |
|-----|-------|------|------|---------|------|------|
| 4.2 | 2.7 | 62 | 99 | 0.8 | 21.5 | 25 |
| M&G | UDDER | TEAT | REA | MARB | BMIS | CHBS |
| 56 | 1.4 | 1.5 | 0.37 | 0.1 | 429 | 117 |

REF SIRE • ECR 628 IVYS ADVANCE 8923 ET
AHA Reg. #43965019 :: DOB: 4/6/18 :: Horned :: Tattoo 8923

HH ADVANCE 4075B ET
H FH ADVANCE 628 ET
 FHF 408 RITA 21W

UPS SENSATION 2296 ET
ECR MISS SENSATION 4406 ET
 ECR LADY FLOW 212ET

HH ADVANCE 1013Y ET
 HH MISS ADVANCE 0121X
 CJH HARLAND 408
 FHF 45P RITA 101T

CHURCHILL SENSATION 028X
 UPS JT MISS NEON 7811 ET
 DKF RO CASH FLOW 0245 ET
 RV GOLDEN LADY 5064

| CED | BW | WW | YW | Scrotal | SCF | MILK |
|------|-------|------|------|---------|------|------|
| -0.6 | 2.2 | 57 | 88 | 1.3 | 12.1 | 32 |
| M&G | UDDER | TEAT | REA | MARB | BMIS | CHBS |
| 60 | 1.0 | 1.0 | 0.79 | 0.04 | 308 | 128 |



ECR 628 Ivy's Advance 8923 "Sancho"

REF SIRE • NJW 79Z Z311 ENDURE 173D ET
AHA Reg. #43722088 :: DOB: 2/22/16 :: Polled :: Tattoo 79Z173D

SCHU-LAR ON TARGET 22S
KCF BENNETT ENCORE Z311 ET
 KCF MISS REVOLUTION X338 ET

NJW 73S M326 TRUST 100W ET
BW 91H 100W RITA 79Z ET
 REMITALL RITA 91H

SCHU-LAR 5N OF 9L 3008
 SCHU-LAR 208 OF 1H 121 ET
 MSU TCF REVOLUTION 4R
 JW 718 VICTORIA 9106

KCF BENNETT 3008 M326
 NJW P606 72N DAYDREAM 73S
 FELTONS 517
 REMITALL FLORIAL RITA 102F

| CED | BW | WW | YW | Scrotal | SCF | MILK |
|-----|-------|------|------|---------|------|------|
| 6 | 3.9 | 74 | 126 | 1.4 | 22 | 34 |
| M&G | UDDER | TEAT | REA | MARB | BMIS | CHBS |
| 71 | 1.2 | 1.2 | 1.22 | 0.22 | 514 | 203 |



NJW 79Z Z311 Endure 173D ET

REF SIRE • LW 6128 DOMINO 901G ET
AHA Reg. #44052478 :: DOB: 1/4/19 :: Horned :: Tattoo 901G

CL 1 DOMINO 386A 1ET
CL 1 DOMINO 6128D 1ET
 CL 1 DOMINETTE 055X

CL 1 DOMINO 929W
CL 1 DOMINETTE 160Y 1ET
 CL 1 DOMINETTE 606S 1ET

CL 1 DOMINO 1108Y 1ET
 CL 1 DOMINETTE 440P 1ET
 CL 1 DOMINO 860U
 CL 1 DOMINETTE 7136T 1ET

CL 1 DOMINO 637S 1ET
 CL 1 DOMINETTE 615S
 HH ADVANCE 3113N 1ET
 CL 1 DOMINETTE 0112K 1ET

| CED | BW | WW | YW | Scrotal | SCF | MILK |
|-----|-------|------|------|---------|------|------|
| 4.9 | 3.0 | 61 | 106 | 1.1 | 27.1 | 37 |
| M&G | UDDER | TEAT | REA | MARB | BMIS | CHBS |
| 68 | 1.3 | 1.4 | 0.61 | 0.57 | 547 | 169 |



LW 6128 Domino 901G ET

REF SIRE • HH ADVANCE 0025H ET {DLE,HYE,IEF,MSUDE, MDF}
AHA Reg. #44129518 :: DOB: 1/3/20 :: Horned :: Tattoo 0025

CL 1 DOMINO 6128D 1ET
CL 1 DOMINO 883F 1ET
 CL1 DOMINETTE 450B

HH ADVANCE 9144W
HH MISS ADVANCE 1010Y ET
 HH MISS ADVANCE 6033S ET

CL 1 DOMINO 386A 1ET
 CL 1 DOMINETTE 055X
 CL 1 DOMINO 215Z
 CL 1 DOMINETTE 1178Y

HH ADVANCE 5104R
 HH MISS ADVANCE 7142T
 HH ADVANCE 3196N
 HH MISS ADVANCE 147L ET

| CED | BW | WW | YW | Scrotal | SCF | MILK |
|-----|-------|------|------|---------|------|------|
| 0.9 | 3.0 | 57 | 91 | 1.2 | 19.9 | 41 |
| M&G | UDDER | TEAT | REA | MARB | BMIS | CHBS |
| 70 | 1.3 | 1.3 | 0.38 | 0.51 | 436 | 164 |



HH Advance 0025H ET

REF SIRE • CL1 DOMINO 0136H

AHA Reg. #44138966 :: DOB: 1/15/20 :: Horned :: Tattoo 136

HH ADVANCE 3297A ET
HH ADVANCE 7156E ET
 HH MISS ADVANCE 1056Y ET

CL1 DOMINO 091X
 HH MISS ADVANCE 9228W
 HH ADVANCE 8050U ET
 HH MISS ADVANCE 6005S

CL1 DOMINO 412B
CL 1 DOMINETTE 6113D 1ET
 CL 1 DOMINETTE 2134Z 1ET

CL 1 DOMINO 216Z 1ET
 CL 1 DOMINETTE 1112Y 1ET
 CL 1 DOMINO 9122W 1ET
 CL 1 DOMINETTE 777T 1ET

| CED | BW | WW | YW | Scrotal | SCF | MILK |
|-----|-------|------|------|---------|------|------|
| 7.2 | 2.5 | 69 | 105 | 0.7 | 11.3 | 24 |
| M&G | UDDER | TEAT | REA | MARB | BMIS | CHBS |
| 59 | 1.2 | 1.2 | 0.47 | 0.35 | 307 | 156 |



CL1 Domino 0136H

REF SIRE • BK HESTON 5707H

AHA Reg. #44203846 :: DOB: 2/29/20 :: Polled :: Tattoo 5707H

BR NITRO AVENTUS 3116 ET
ECR 3116 ADVENTURE 7647 E
 ECR MISS SENSATION 4356 ET

VH MR BG 1104
BK COOL BEANS 5707C
 HAPP KOOL AID POINTS 1218 ET

UPS TCC NITRO 1ET
 BR ABIGAIL 8130 ET
 UPS SENSATION 2296 ET
 ECR LADY FLOW 212ET

KAGS SCHOLARSHIP S44 ET
 VH MISS SCHOLARSHIP U041
 DELHAWK KAHUNA 1009 ET
 CRANE STYLE POINTS 945

| CED | BW | WW | YW | Scrotal | SCF | MILK |
|-----|-------|------|------|---------|------|------|
| 2.0 | 2.6 | 58 | 97 | 0.5 | 18.6 | 34 |
| M&G | UDDER | TEAT | REA | MARB | BMIS | CHBS |
| 63 | 1.3 | 1.4 | 0.42 | 0.09 | 365 | 98 |



BK Heston 5707H

REF SIRE • NJW 84B 4040 FORTIFIED 238F

AHA Reg. #43943448 :: DOB: 3/15/18 :: Polled :: Tattoo 238F

TH 22R 16S LAMBEAU 17Y
BOYD FT KNOX 17Y XZ5 4040
 DOSS MY EYES ADORE U DHZ5

VH MR BG 1104
BK COOL BEANS 5707C
 HAPP KOOL AID POINTS 1218 ET

TH 121L 63N TUNDRA 16S
 TH 62N 3L KELSEY 22R
 BOYD WORLDWIDE 9050 ET
 DHF COVER GIRL C902

KCF BENNETT 3008 M326
 NJW P606 72N DAYDREAM 73S
 GERBER WATCHFIRE 117F
 TLELL 60D ROO 29J

| CED | BW | WW | YW | Scrotal | SCF | MILK |
|-----|-------|------|------|---------|------|------|
| 5.0 | 1.0 | 61 | 91 | 1.8 | 18.2 | 25 |
| M&G | UDDER | TEAT | REA | MARB | BMIS | CHBS |
| 55 | 1.3 | 1.5 | 0.33 | 0.14 | 374 | 114 |



NJW 84B 4040 Fortified 238F

KA-CHING.

MORE POUNDS.
 MORE CALVES.
 MORE PROFIT.



Hereford.org | 816-842-3757

Hereford bulls increase net profit by \$51 per cow per year.

That's \$20,000 in additional revenue for a typical 400-cow outfit, thanks to increased fertility and herd size.

Herefords are also the efficiency experts, proven to add value to calves in the feedyard — \$30 per head in profitability.

Thank you for your trust and interest in our program



7%

Higher pregnancy rates

\$51

More Per Cow, Per Year

\$20

Advantage in Feed Efficiency

\$30

Advantage in Feedlot Profitability

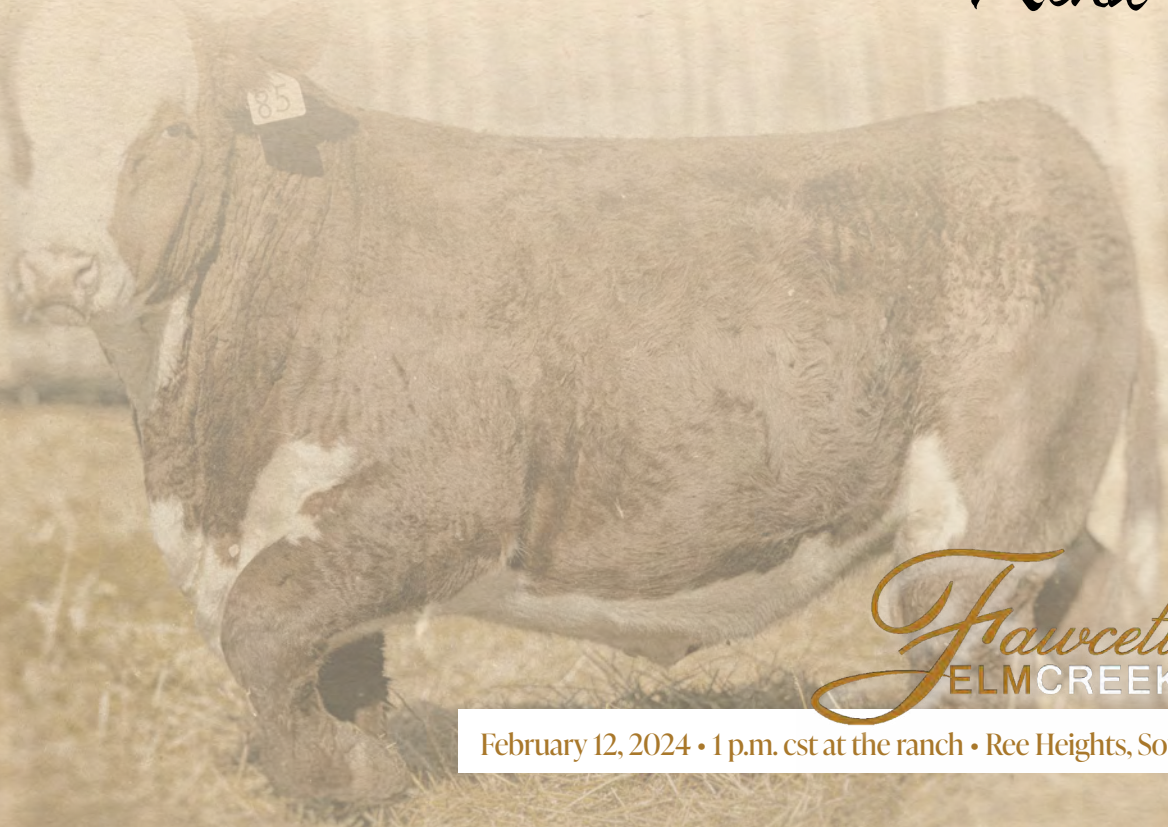
COME HOME TO HEREFORD.

Fawcett's
ELMCREEKRANCH
21115 344th Ave
Ree Heights, SD 57371

www.fawcettelmcreekranch.com

FIRST CLASS MAIL - DATED MATERIAL - PLEASE DO NOT DELAY

the
RANCHER'S
Kind



Fawcett's
ELMCREEKRANCH

February 12, 2024 • 1 p.m. cst at the ranch • Ree Heights, South Dakota